

DUPROLUX[®]
LIGHTING

Halogen & Xenon Lamps



MERKUR[®]
GERMAN TECHNOLOGY

Content

■ Halogen & Xenon Lamps	4
■ LH Series J Type Linear Halogen Lamps	6
■ Bi-Pin JC Series (Low Voltage Capsule)	7
■ JD Series (Single-Ended Linear)	9
■ MR-11 Series10	10
■ MR-16 Series	11
■ MR-16 Ultra 4 Series	12
■ PAR30 Series	13
■ PAR38 Series	14
■ Energy Saving Eco Halogen Lamps	15

Litghting



Ulrich Scheller
Export Manager

For over 100 years – since the time of Werner von Siemens – German Technology is renown for outstanding innovation and technical leadership. **MERKUR**® Ueberseehandel GmbH is committed to this long tradition.

Under **MERKUR**® German Technology we develop and produce warranted, durable high quality products in the following segments:

- Electrotechnology
- **DUPROLUX**® Lighting
- Metering
- Power Distribution
- Climatisation
- Renewable Energy

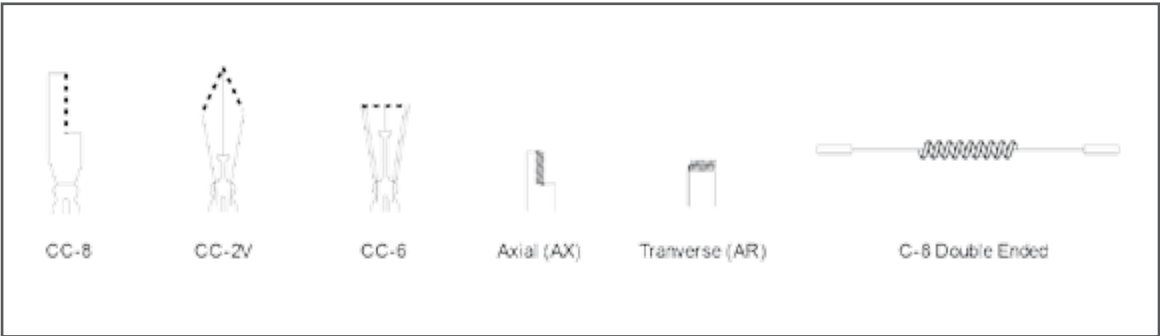
MERKUR clients worldwide can rely on our vast experience. We offer authorised distributors competitive prices better allowing them to compete in the market. We also successfully cooperate with contractors who are bidding for public utility tenders.

MERKUR® is a reliable partner with a tradition of providing individually tailored products and solutions in accordance with customers' needs. Contact us and we gladly assist you with more details about our products and services. Get in touch with us!

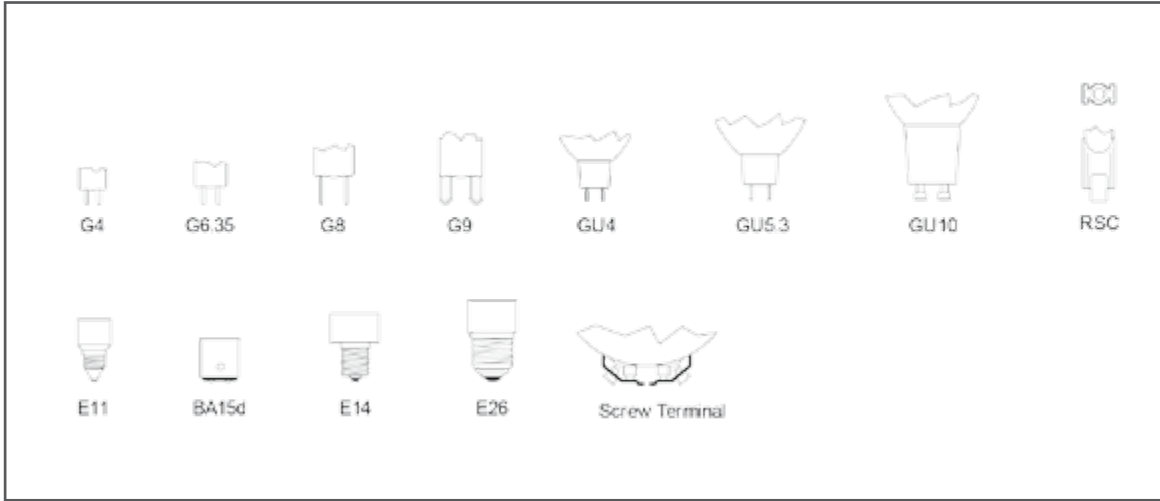
Export Manager

Halogen & Xenon Lamps

FILAMENTS

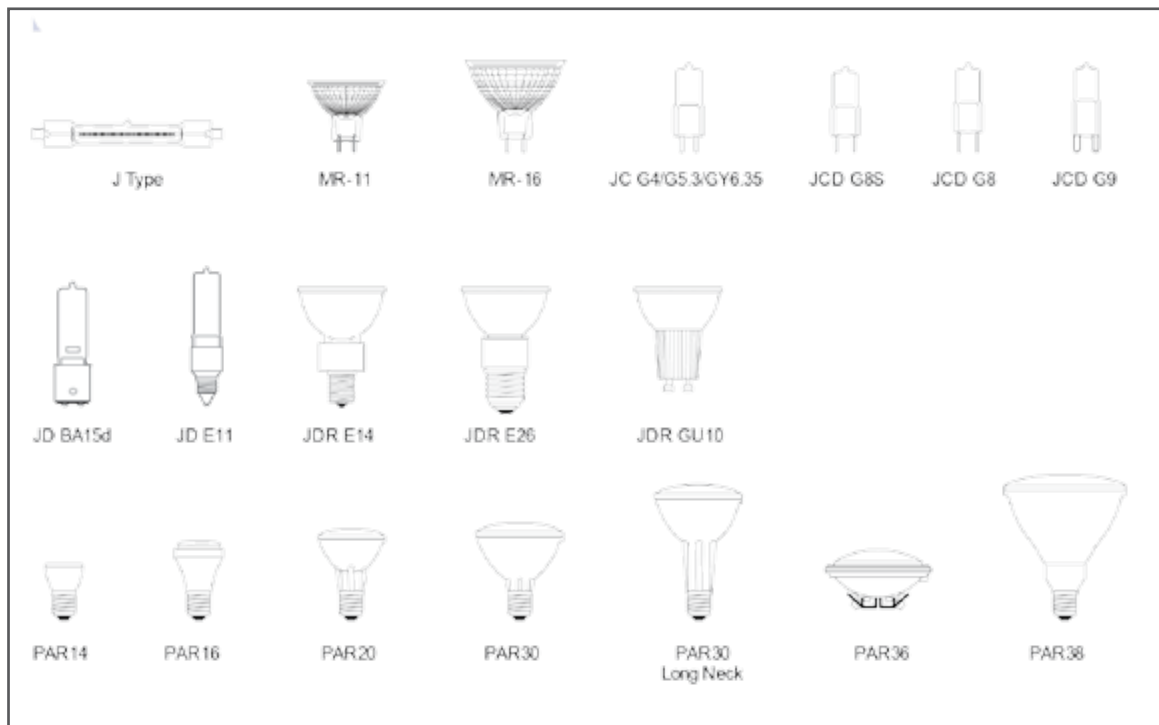


SOCKETS



Halogen & Xenon Lamps

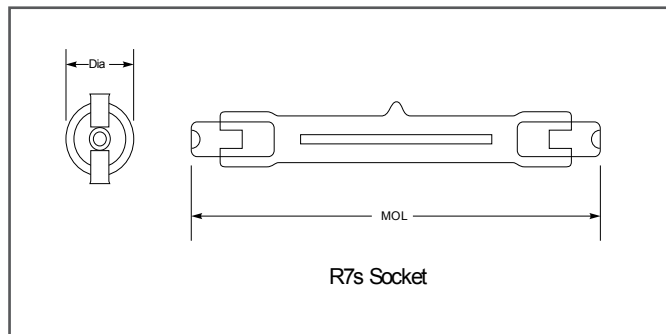
TYPES OF LAMPS



LH Series J Type Linear Halogen Lamps

LH SERIES J TYPE LINEAR HALOGEN LAMPS

- Crisp white light
- Long Life Time



Rated Power	Glass Type	Socket	Matchcode	Voltage Unit	Dimensions		Lumens		Color Temp (K)	Article No.
					MOL (mm)	LCL (mm)	Initial (lm)	Lifetime (Avg Hrs)		
Double-Ended Linear Halogen Lamps										
100	T3	R7s	LH-J230V-100	230	100	1400	78.3	8	1500	i12113411894
			LH-J240V-100	240	100	1400	78.3	8	1500	i12113511894
150	T3	R7s	LH-J230V-150 SHORT	230	100	2400	78.3	8	1500	i12613411894
			LH-J240V-150 SHORT	240	100	2400	78.3	8	1500	i12603511894
			LH-J230V-150 LONG	230	100	2400	117.6	8	1500	i12613412294
200	T4	R7s	LH-J230V-200 SHORT	230	100	3400	78.3	10	1500	i13113411894
			LH-J230V-200 LONG	230	100	3400	117.6	10	1500	i13113412294
			LH-J240V-200 LONG	240	100	3400	117.6	10	1500	i13113512294
250	T4	R7s	LH-J230V-250 SHORT	230	100	4500	78.3	10	1500	i13613411894
300	T3	R7s	LH-J120V-300	120	100	5950	117.6	8	1500	i14112312294
			LH-J230V-300	230	100	5950	117.6	8	1500	i14113412294
			LH-J240V-300	240	100	5950	117.6	8	1500	i14113512294
500	T4	R7s	LH-J120V-500	120	100	10500	117.6	10	1500	i16112312294
			LH-J230V-500	230	100	10500	117.6	10	1500	i16113412294
			LH-J240V-500	240	100	10500	117.6	10	1500	i16113512294
750	T4	R7s	LH-J230V-750	230	50	16500	189.1	10	1500	i18613412904
			LH-J240V-750	240	50	16500	189.1	10	1500	i19613512904
1000	T4	R7s	LH-J120V-1000	120	50	21000	189.1	10	1500	i21112312904
			LH-J230V-1000	230	50	21000	189.1	10	1500	i21113412904
			LH-J240V-1000	240	50	21000	189.1	10	1500	i21113512904
			LH-J240V-1000 LONG	240	50	21000	189.1	10	1500	i21113513654
1500	T4	R7s	LH-J220V-1500	220	50	33000	254.1	10	1500	i26113313654
			LH-J230V-1500	230	50	33000	254.1	10	1500	i26113413654
			LH-J240V-1500	240	50	33000	254.1	10	1500	i26113513654
2000	T4	R7s	LH-J230V-2000	230	50	44000	254.1	10	1500	i31113413654
			LH-J240V-2000	240	50	44000	254.1	10	1500	i31113513654

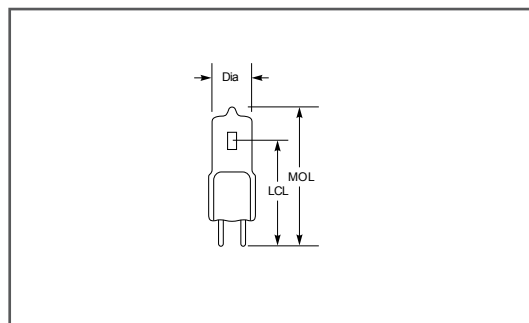
Dimensions are given in millimetres unless noted otherwise please dispose responsibly.



Bi-Pin JC Series (Low Voltage Capsule)

Bi-Pin JC SERIES (Low Voltage Capsule)

- Crisp white light
- Compact size
- Low voltage - 12V



Rated Power	Glass Type	Socket	Matchcode	Voltage Unit	Dimensions		Lumens		Lifetime (Avg Hrs)	Color Temp (K)	Article No.
					MOL (mm)	LCL (mm)	Initial (lm)				
Capsule Lamps -G4, G5.3, & G6.35											
20	T3	G4	JC20W/G4	12	100	8	33	22	350	2000	i13123363912
30	T3	G4	JC30W/G4	12	100	8	33	22	510	2000	i14123353912
35	T3	G5.3	JC35W/G5.3	12	100	10	44	27	595	2000	i14623363912
		G6.35	JC35W/G6.35	12	100	10	44	30	595	2000	i14623373912
50	T3	G5.3	JC50W/G5.3	12	100	10	44	27	900	2000	i16124463912
		G6.35	JC50W/G6.35	12	100	10	44	30	900	2000	i16124473912
75	T3	G5.3	JC75W/G5.3	12	100	10	44	27	1350	2000	i18623363912
		G6.35	JC75W/G6.35	12	100	10	44	30	1350	2000	i18623373912
100	T4	G5.3	JC100W/G5.3	12	100	11.5	44	30	2000	2000	i21123363912
		G6.35	JC100W/G6.35	12	100	11.5	44	30	2000	2000	i21123373912

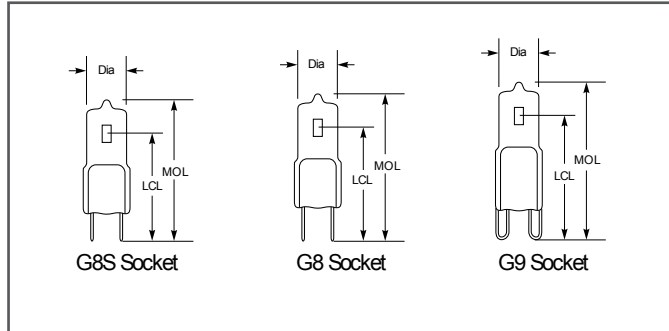
Dimensions are given in millimetres unless noted otherwise please dispose responsibly.



Bi-Pin JC Series (Low Voltage Capsule)

Bi-Pin JCD SERIES (Line-Voltage Capsule)

- Crisp white light
- 230V operation
- Available in short capsule



Rated Power	Glass Type	Socket	Matchcode	Voltage Unit	Packing Unit	Dimensions		Lumens		Color Temp (K)	Article No.
						MOL (mm)	LCL (mm)	Initial (lm)	Lifetime (Avg Hrs)		
Capsule Lamps - G8											
20	T4	G8	JCD20W/G8	230	100	13.5	44	30	330	2000	i13141393914
	T4 Short	G8S	JCD20W/G8S	230	100	13.5	33	22.5	330	2000	i13141393924
25	T4	G8	JCD25W/G8	230	100	13.5	44	30	420	2000	i13641393914
35	T4	G8	JCD35W/G8	230	100	13.5	44	30	650	2000	i14641393924
	T4 Short	G8S	JCD35W/G8S	230	100	13.5	44	22.5	650	2000	i14641393914
50	T4	G8	JCD50W/G8	230	100	13.5	44	30	950	2000	i16141393914
75	T4	G8	JCD75W/G8	230	100	13.5	44	30	1300	2000	i18641393914
100	T4	G8	JCD100W/G8	230	100	13.5	44	30	1900	2000	i21141393914
Capsule Lamps - G9											
20	T4	G9	JCD20W/G9	230	100	13.5	44	30	330	2000	i13141303914
25	T4	G9	JCD25W/G9	230	100	13.5	44	30	420	2000	i13641303914
35	T4	G9	JCD35W/G9	230	100	13.5	44	30	650	2000	i14641303914
40	T4	G9	JCD40W/G9	230	100	13.5	44	30	750	2000	i15141303914
50	T4	G9	JCD50W/G9	230	100	13.5	44	30	950	2000	i16141303914
60	T4	G9	JCD60W/G9	230	100	13.5	44	30	1080	2000	i17141303914
75	T4	G9	JCD75W/G9	230	100	13.5	44	30	1300	2000	i18641303914
100	T4	G9	JCD100W/G9	230	100	13.5	44	30	1900	2000	i21141303914

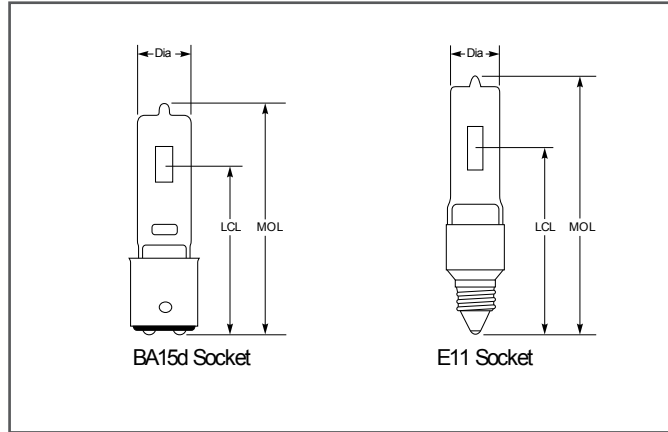
Dimensions are given in millimetres unless noted otherwise please dispose responsibly.



JD Series (Single-Ended Linear)

JD SERIES (Single-Ended Linear)

- Crisp white light
- 230V operation
- Available in short capsule



Rated Power	Glass Type	Socket	Matchcode	Voltage Unit	Packing Unit	Dimensions			Approx. Lumens (lm)	Lifetime (Avg Hrs)	Color Temp (K)	Article No.
						Dia. (mm)	MOL (mm)	LCL (mm)				
Double Contact Bayonet Socket-BA15d (D.C. Bay)												
35	T4	BA15d	JD35/BA15d	230V-240V	100	14	66	32	400	2000	2800	i14626164114
50	T4	BA15d	JD50/BA15d	230V-240V	100	14	66	32	550	2000	2800	i16426164114
75	T4	BA15d	JD75/BA15d	230V-240V	100	14	66	32	900	2000	2800	i18626164114
100	T4	BA15d	JD100/BA15d	230V-240V	100	14	66	35	1200	2000	2900	i21126164114
150	T4	BA15d	JD150/BA15d	230V-240V	100	14	66	35	2100	2000	2900	i26126164114
250	T4	BA15d	JD250/BA15d	230V-240V	100	14	66	35	4500	2000	2900	i36126164114
Mini Candelabra Socket - E11(Mini-Can)												
35	T4	E11	JD35/E11	230V-240V	100	14	66	32	400	2000	2800	i14622164114
50	T4	E11	JD50/E11	230V-240V	100	14	66	32	550	2000	2800	i16122164114
75	T4	E11	JD75/E11	230V-240V	100	14	66	32	900	2000	2800	i18622164114
100	T4	E11	JD100/E11	230V-240V	100	14	66	35	1200	2000	2900	i21122164114
150	T4	E11	JD150/E11	230V-240V	100	14	66	35	2100	2000	2900	i26122164114
250	T4	E11	JD250/E11	230V-240V	100	14	66	35	4500	2000	2900	i36122164114
500	T4	E11	JD500/E11	230V-240V	100	14	66	35	9500	2000	2900	i61122164114

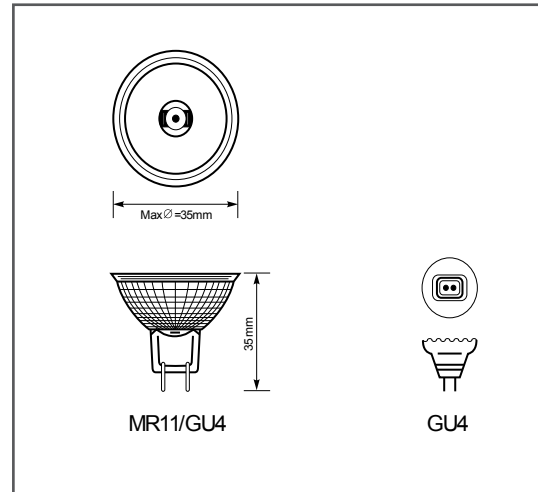
Dimensions are given in millimetres unless noted otherwise please dispose responsibly.



MR-11 Series

MR-11 SERIES

- Crisp white light
- Long lifetime
- Available with/without cover
- Stable light color and brightness



Rated Power	Glass Type	Socket	Matchcode	Voltage Unit	ANSI	Packing Unit	CBCP (cd)	Beam Angle	Spread	Lifetime (Avg Hrs)	Color		Article No.
											Temp (K)		
Standard MR11 Without Cover													
20	MR11	GU4	20MR11/NSP	12	FTB	20	3000	10°	N.Spot	2000	2925		i13122721112
			20MR11/SP	12	FTC	20	1500	20°	Spot	2000	2925		i13122731112
			20MR11/NFL	12	FTD	20	600	30°	N.Flood	2000	2925		i13122741112
35	MR11	GU4	35MR11/NSP	12	FTE	20	6000	10°	N.Spot	2000	2950		i14622721112
			35MR11/SP	12	FTF	20	2400	20°	Spot	2000	2950		i14622731112
			35MR11/NFL	12	FTH	20	1300	30°	N.Flood	2000	2950		i14622741112
Standard MR11 With Cover													
20	MR11	GU4	20MR11/NSP/C	12	FTB	20	3000	10°	N.Spot	2000	2925		i13122721212
			20MR11/SP/C	12	FTC	20	1500	20°	Spot	2000	2925		i13122731212
			20MR11/NFL/C	12	FTD	20	600	30°	N.Flood	2000	2925		i13122741212
35	MR11	GU4	35MR11/NSP/C	12	FTE	20	6000	10°	N.Spot	2000	2950		i14622721212
			35MR11/SP/C	12	FTF	20	2400	20°	Spot	2000	2950		i14622731212
			35MR11/NFL/C	12	FTH	20	1300	30°	N.Flood	2000	2950		i14622741212

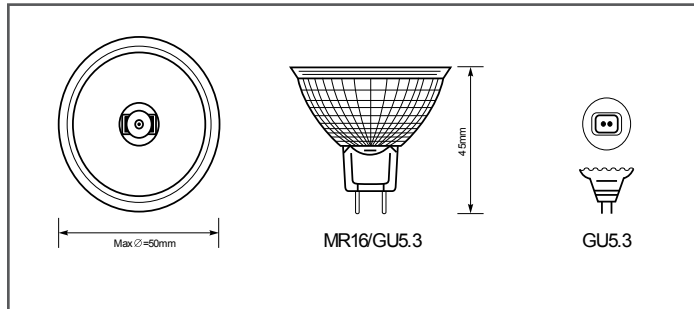
Dimensions are given in millimetres unless noted otherwise please dispose responsibly.



MR-16 Series

MR-16 SERIES

- Crisp white light
- Long lifetime
- Available with/without cover
- Stable light color and brightness



Rated Power	Glass Type	Socket	Matchcode	Voltage Unit	ANSI	Packing Unit	CBCP (cd)	Beam Angle	Spread	Lifetime (Avg Hrs)	Color	
											Temp (K)	Article No.
Standard MR16 Without Cover												
20	MR16	GU5.3	20MR16/SP	12	ESX	20	3500	12°	Spot	2000	2950	i13127724112
			20MR16/NFL	12	BBF	20	1200	24°	N.Flood	2000	2950	i13127735112
			20MR16/FL	12	BAB	20	600	36°	Flood	2000	2950	i13127747112
35	MR16	GU5.3	35MR16/SP	12	FMT	20	6000	12°	Spot	2000	2950	i14627723112
			35MR16/NFL	12	FMV	20	2300	24°	N.Flood	2000	2950	i14627735112
			35MR16/FL	12	FMW	20	1300	36°	Flood	2000	2950	i14627747112
50	MR16	GU5.3	50MR16/SP	12	EXT	20	11000	12°	Spot	2000	3000	i16127723112
			50MR16/NFL	12	EXZ	20	3600	24°	N.Flood	2000	3000	i16127735112
			50MR16/FL	12	EXN	20	2000	36°	Flood	2000	3000	i16127747112
			50MR16/WFL	12	FNV	20	850	60°	W.Flood	2000	3000	i16127771112
75	MR16	GU5.3	75MR16/SP	12	EYF	20	13000	12°	Spot	2000	3000	i18627723112
			75MR16/NFL	12	EYJ	20	4800	24°	N.Flood	2000	3000	i18627735112
			75MR16/FL	12	EYC	20	2700	36°	Flood	2000	3000	i18627747112
Standard MR16 With Cover												
20	MR16	GU5.3	20MR16/SP/C	12	ESX	20	3500	12°	Spot	2000	2950	i13127723212
			20MR16/NFL/C	12	BBF	20	1200	24°	N.Flood	2000	2950	i13127735212
			20MR16/FL/C	12	BAB	20	600	36°	Flood	2000	2950	i13127747212
35	MR16	GU5.3	35MR16/SP/C	12	FMT	20	6000	12°	Spot	2000	2950	i14627723212
			35MR16/NFL/C	12	FMV	20	2300	24°	N.Flood	2000	2950	i14627735212
			35MR16/FL/C	12	FMW	20	1300	36°	Flood	2000	2950	i14627747212
50	MR16	GU5.3	50MR16/SP/C	12	EXT	20	11000	12°	Spot	2000	3000	i16127723212
			50MR16/NFL/C	12	EXZ	20	3600	24°	N.Flood	2000	3000	i16127735212
			50MR16/FL/C	12	EXN	20	2000	36°	Flood	2000	3000	i16127747212
			50MR16/WFL/C	12	FNV	20	850	60°	W.Flood	2000	3000	i16127771212
75	MR16	GU5.3	75MR16/SP/C	12	EYF	20	13000	12°	Spot	2000	3000	i18627723212
			75MR16/NFL/C	12	EYJ	20	4800	24°	N.Flood	2000	3000	i18627735212
			75MR16/FL/C	12	EYC	20	2700	36°	Flood	2000	3000	i18627747212

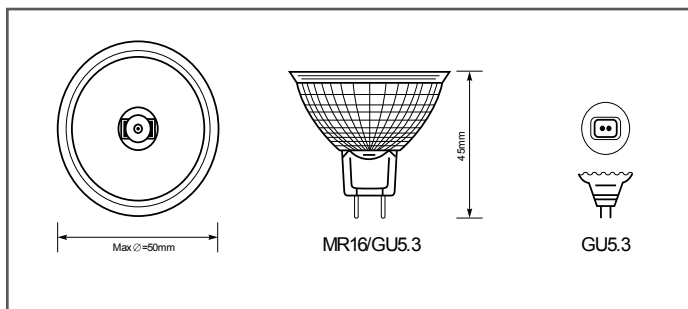
Dimensions are given in millimetres unless noted otherwise please dispose responsibly.



MR-16 Ultra 4 Series

MR-16 Ultra 4 SERIES

- Ultra long life time 4000 hrs
- Crisp white light
- Available with/without cover
- Stable light color and brightness



Rated Power	Glass Socket Type	Matchcode	Voltage Unit	ANSI	Packing Unit.	CBCP (cd)	Beam Angle	Spread	Lifetime (Avg Hrs)	Color Temp (K)	Article No.
Extra Long Life MR16 Without Cover											
20	MR16 GU5.3	20MR16LTRA4/SP	12	ESX	20	3500	12°	Spot	4000	2950	i12127723312
		20MR16LTRA4/NFL	12	BBF	20	870	24°	N.Flood	4000	2950	i13127735312
		20MR16LTRA4/FL	12	BAB	20	510	36°	Flood	4000	2950	i13127747312
35	MR16 GU5.3	35MR16LTRA4/SP	12	FMT	20	6000	12°	Spot	4000	2950	i14627723312
		35MR16LTRA4/NFL	12	FMV	20	2000	24°	N.Flood	4000	2950	i14627735212
		35MR16LTRA4/FL	12	FMW	20	1200	36°	Flood	4000	2950	i14627747312
50	MR16 GU5.3	50MR16LTRA4/SP	12	EXT	20	11000	12°	Spot	4000	3000	i16127723312
		50MR16LTRA4/NFL	12	EXZ	20	3000	24°	N.Flood	4000	3000	i16127735312
		50MR16LTRA4/FL	12	EXN	20	1580	36°	Flood	4000	3000	i16127747312
		50MR16LTRA4/WFL	12	FNV	20	750	60°	W.Flood	4000	3000	i1612771312
75	MR16 GU5.3	75MR16LTRA4/SP	12	EYF	20	12000	12°	Spot	4000	3000	i18627723312
		75MR16LTRA4/NFL	12	EYJ	20	4600	24°	N.Flood	4000	3000	i18627735312
		75MR16LTRA4/FL	12	EYC	20	2200	36°	Flood	4000	3000	i18627747312
Extra Long Life MR16 With Cover											
20	MR16 GU5.3	20MR16LTRA4/SP/C	12	ESX	20	3500	12°	Spot	4000	2950	i13127723412
		20MR16LTRA4/NFL/C	12	BBF	20	870	24°	N.Flood	4000	2950	i13127735412
		20MR16LTRA4/FL/C	12	BAB	20	510	36°	Flood	4000	2950	i13127747412
35	MR16 GU5.3	35MR16LTRA4/SP/C	12	FMT	20	6000	12°	Spot	4000	2950	i14627723412
		35MR16LTRA4/NFL/C	12	FMV	20	2000	24°	N.Flood	4000	2950	i14627735412
		35MR16LTRA4/FL/C	12	FMW	20	1200	36°	Flood	4000	2950	i14627747412
50	MR16 GU5.3	50MR16LTRA4/SP/C	12	EXT	20	11000	12°	Spot	4000	3000	i16127723412
		50MR16LTRA4/NFL/C	12	EXZ	20	3000	24°	N.Flood	4000	3000	i16127735412
		50MR16LTRA4/FL/C	12	EXN	20	1580	36°	Flood	4000	3000	i16127747412
		50MR16LTRA4/WFL/C	12	FNV	20	750	60°	W.Flood	4000	3000	i1612771412
75	MR16 GU5.3	75MR16LTRA4/SP/C	12	EYF	20	12000	12°	Spot	4000	3000	i18627723412
		75MR16LTRA4/NFL/C	12	EYJ	20	4600	24°	N.Flood	4000	3000	i18627723412
		75MR16LTRA4/FL/C	12	EYC	20	2200	36°	Flood	4000	3000	i18627747412

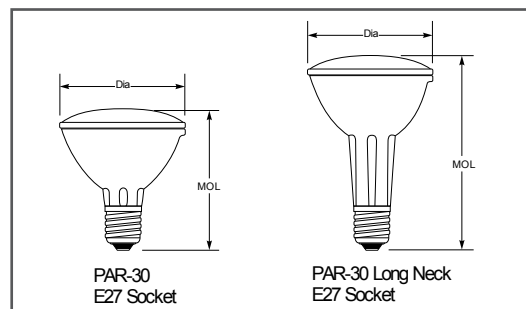
Dimensions are given in millimetres unless noted otherwise please dispose responsibly.



PAR30 Series

MR-16 Ultra 4 SERIES

- Directional light source
- Long life time



Rated Power	Glass Type	Socket	Matchcode	Voltage Unit	ANSI	Packing Unit	CBCP (cd)	Beam Angle	Spread	Lifetime (Avg Hrs)	Color Temp (K)	Article No.
PAR30 Series - E27 Socket												
50	PAR30	E27	50PAR30/230/SP	230	30	91.5	94	660	12°	Spot	2500	i16188423414
			50PAR30/230/NFL	230	30	91.5	94	660	24°	N. Flood	2500	i16188435414
			50PAR30/230/FL	230	30	91.5	94	660	36°	Flood	2500	i16188447414
			50PAR30/240/SP	240	30	91.5	94	660	12°	Spot	5000	i16188423514
			50PAR30/240/NFL	240	30	91.5	94	660	24°	N. Flood	5000	i16188435514
			50PAR30/240/FL	240	30	91.5	94	660	36°	Flood	5000	i16188447514
60	PAR30	E27	60PAR30/230/SP	230	30	91.5	94	860	12°	Spot	2500	i17188423414
			60PAR30/230/NFL	230	30	91.5	94	860	24°	N. Flood	2500	i17188435414
			60PAR30/230/FL	230	30	91.5	94	860	36°	Flood	2500	i17188447414
			60PAR30/240/SP	240	30	91.5	94	860	12°	Spot	5000	i17188423514
			60PAR30/240/NFL	240	30	91.5	94	860	24°	N. Flood	5000	i17188435514
			60PAR30/240/FL	240	30	91.5	94	860	36°	Flood	5000	i17188447514
75	PAR30	E27	75PAR30/230/SP	230	30	91.5	94	1000	12°	Spot	2500	i18688423414
			75PAR30/230/NFL	230	30	91.5	94	1000	24°	N. Flood	2500	i18688435414
			75PAR30/230/FL	230	30	91.5	94	1000	36°	Flood	2500	i18688447414
			75PAR30/240/SP	240	30	91.5	94	1000	12°	Spot	5000	i18688423514
			75PAR30/240/NFL	240	30	91.5	94	1000	24°	N. Flood	5000	i18688435514
			75PAR30/240/FL	240	30	91.5	94	1000	36°	Flood	5000	i18688447514
PAR30 Long Neck Series - E27 Socket												
50	PAR30 LN	E27	50PAR30LN/230/SP	230	15	114.3	95	580	12°	Spot	2500	i16188423424
			50PAR30LN/230/NFL	230	15	114.3	95	580	24°	N. Flood	2500	i16188435424
			50PAR30LN/230/FL	230	15	114.3	95	580	36°	Flood	2500	i16188447424
			50PAR30LN/240/SP	240	15	114.3	95	580	12°	Spot	5000	i16188423524
			50PAR30LN/240/NFL	240	15	114.3	95	580	24°	N. Flood	5000	i16188435524
			50PAR30LN/240/FL	240	15	114.3	95	580	36°	Flood	5000	i16188447524
75	PAR30 LN	E27	75PAR30LN/230/SP	230	15	114.3	95	1000	12°	Spot	2500	i18688423424
			75PAR30LN/230/NFL	230	15	114.3	95	1000	24°	N. Flood	2500	i18688435424
			75PAR30LN/230/FL	230	15	114.3	95	1000	36°	Flood	2500	i18688447424
			75PAR30LN/240/SP	240	15	114.3	95	1000	12°	Spot	5000	i18688423524
			75PAR30LN/240/NFL	240	15	114.3	95	1000	24°	N. Flood	5000	i18688435524
			75PAR30LN/240/FL	240	15	114.3	95	1000	36°	Flood	5000	i18688447524

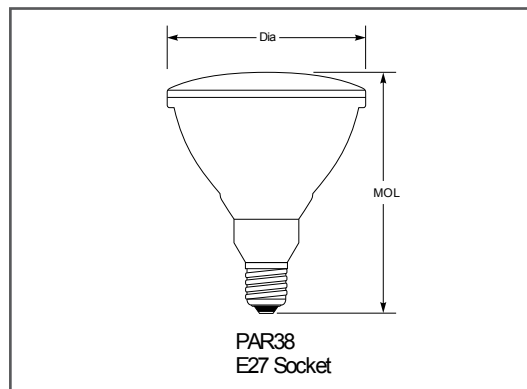
Dimensions are given in millimetres unless noted otherwise please dispose responsibly.



PAR38 Series

PAR38 SERIES

- Directional light source
- Long life time



Rated Power	Glass Type	Socket	Matchcode	Voltage Unit	ANSI	Packing Unit	CBCP (cd)	Beam Angle	Spread	Lifetime (Avg Hrs)	Color Temp (K)	Article No.
PAR38 Series - E27 Socket												
45	PAR38	E27	45PAR38/230/SP	230	15	135	121	525	12°	Spot	2500	i15688923414
			45PAR38/230/FL	230	15	135	121	525	36°	Flood	2500	i15688947414
			45PAR38/230/WFL	230	15	135	121	525	50°	W. Flood	2500	i15688961414
			45PAR38/240/SP	240	15	135	121	525	12°	Spot	5000	i15688923514
			45PAR38/240/FL	240	15	135	121	525	36°	Flood	5000	i15688947514
60	PAR38	E27	60PAR38/230/SP	230	15	135	121	525	12°	Spot	2500	i17188923414
			60PAR38/230/FL	230	15	135	121	525	36°	Flood	2500	i17188947414
			60PAR38/230/WFL	230	15	135	121	525	50°	W. Flood	2500	i17188961414
			60PAR38/240/SP	240	15	135	121	525	12°	Spot	5000	i17188923514
			60PAR38/240/FL	240	15	135	121	525	36°	Flood	5000	i17188947514
60	PAR38	E27	60PAR38/240/WFL	240	15	135	121	525	50°	W. Flood	5000	i17188961514
			75PAR38/230/SP	230	15	135	121	1040	12°	Spot	2500	i18688923414
			75PAR38/230/FL	230	15	135	121	1040	36°	Flood	2500	i18688947414
			75PAR38/230/WFL	230	15	135	121	1040	50°	W. Flood	2500	i18688961414
			75PAR38/240/SP	240	15	135	121	1040	12°	Spot	5000	i18688923514
75	PAR38	E27	75PAR38/240/FL	240	15	135	121	1040	36°	Flood	5000	i18688947514
			75PAR38/240/WFL	240	15	135	121	1040	50°	W. Flood	5000	i18688961514
			90PAR38/230/NSP	230	15	135	121	1280	8°	N. Spot	2500	i10188919414
			90PAR38 /SP /230	230	15	135	121	1280	12°	Spot	2500	i10188923414
			90PAR38 /FL /230	230	15	135	121	1280	36°	Flood	2500	i10188947414
90	PAR38	E27	90PAR38 /WFL /230	230	15	135	121	1280	50°	W. Flood	2500	i10188961414
			90PAR38 /NSP /240	240	15	135	121	1280	8°	N. Spot	5000	i10188919514
			90PAR38 /SP /240	240	15	135	121	1280	12°	Spot	5000	i10188923514
			90PAR38 /FL /240	240	15	135	121	1280	36°	Flood	5000	i10188947514
			90PAR38 /WFL /240	240	15	135	121	1280	50°	W. Flood	5000	i10188961514
100	PAR38	E27	100PAR38 /FL /230	230	15	135	121	2070	36°	Flood	2500	i21188947414
			100PAR38 /FL /240	240	15	135	121	2070	36°	Flood	5000	i21188947514

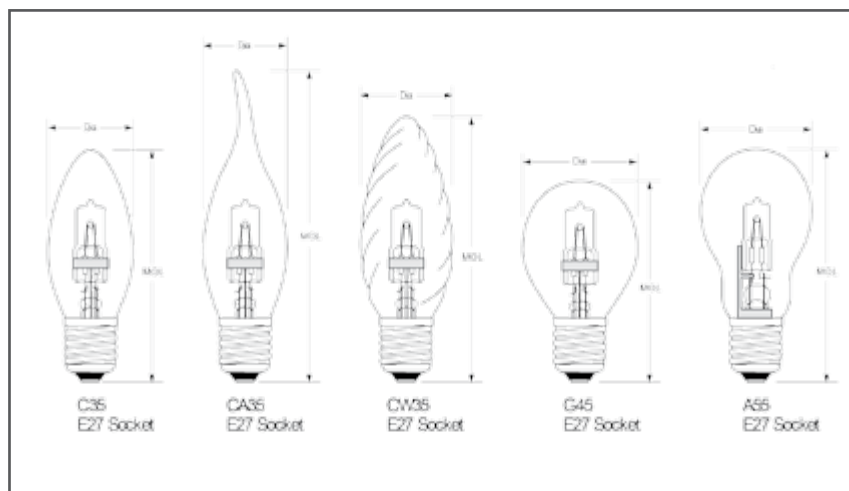
Dimensions are given in millimetres unless noted otherwise please dispose responsibly.



Energy-Saving Eco Halogen Lamps

ENERGY-SAVING ECO HALOGEN LAMPS

- Stable light color and brightness



Rated Power	Glass Type	Socket	Matchcode	Voltage Unit	ANSI	Packing Unit	CBCP (cd)	Beam Angle	Spread	Lifetime (Avg Hrs)	Color Temp (K)	Article No.
C35 Series - E27 Socket *												
18	C35	E27	18C35/ECO/E27	220-240	30	80	45	205	C	2000	2000	i16188423414
28	C35	E27	28C35/ECO/E27	220-240	30	80	45	370	C	2000	2000	i16188436414
42	C35	E27	42C35/ECO/E27	220-240	30	80	45	630	C	2000	2000	i16188447414
CA35 Series - E27 Socket												
18	CA35	E27	18CA35/ECO/E27	220-240	30	121	35	205	C	2000	2000	i16188423414
28	CA35	E27	28CA35/ECO/E27	220-240	30	121	35	370	C	2000	2000	i16188436414
42	CA35	E27	42CA35/ECO/E27	220-240	30	121	35	630	C	2000	2000	i16188447414
CW35 Series - E27 Socket												
18	CW35	E27	18CW35/ECO/E27	220-240	30	121	35	205	C	2000	2000	i16188423414
28	CW35	E27	28CW35/ECO/E27	220-240	30	121	35	370	C	2000	2000	i16188426414
42	CW35	E27	42CW35/ECO/E27	220-240	30	121	35	630	C	2000	2000	i16188447414
G45 Series - E27 Socket												
18	G45	E27	18G45/ECO/E27	220-240	30	70	46	205	C	2000	2000	i16188423414
28	G45	E27	28G45/ECO/E27	220-240	30	70	46	370	C	2000	2000	i16188436414
42	G45	E27	42G45/ECO/E27	220-240	30	70	46	630	C	2000	2000	i16188447414
52	G45	E27	52G45/ECO/E27	220-240	30	70	46	835	C	2000	2000	i16188447414
70	G45	E27	70G45/ECO/E27	220-240	30	70	46	1172	C	2000	2000	i16188447414
A55 Series - E27 Socket												
18	A55	E27	18A55/ECO/E27	220-240	30	107	56	205	C	2000	2000	i16188423414
28	A55	E27	28A55/ECO/E27	220-240	30	107	56	370	C	2000	2000	i16188436414
42	A55	E27	42A55/ECO/E27	220-240	30	107	56	630	C	2000	2000	i16188447414
52	A55	E27	52A55/ECO/E27	220-240	30	107	56	835	C	2000	2000	i16188447414
70	A55	E27	70A55/ECO/E27	220-240	30	107	56	1172	C	2000	2000	i16188447414

* 120/130V available upon request

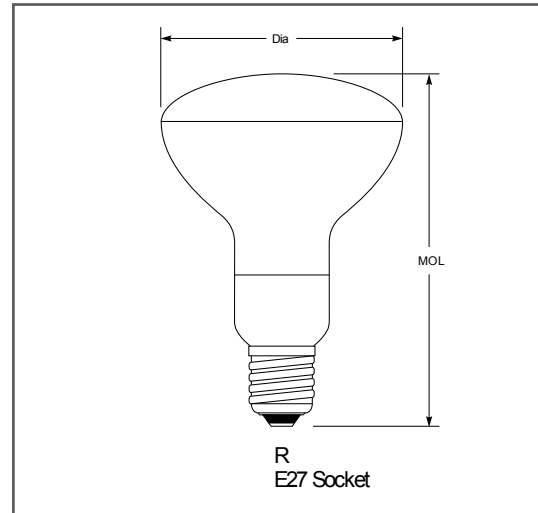
Dimensions are given in millimetres unless noted otherwise please dispose responsibly.



Energy-Saving Eco Halogen Lamps

ENERGY-SAVING ECO HALOGEN LAMPS

- Stable
- Long life time



Rated Power	Glass Type	Socket	Matchcode	Voltage Unit	ANSI	Packing Unit	CBCP (cc)	Beam Angle	Spread	Lifetime (Avg Hrs)	Color	
											Temp (K)	Article No.
R50 Series - E27 Socket												
28	R50	E27	28R50/ECO/E27	220-240	30	87	51	370	C	2000	i16188435414	
42	R50	E27	42R50/ECO/E27	220-240	30	87	51	630	C	2000	i16188447414	
R63 Series - E27 Socket												
28	R63	E27	28R63/ECO/E27	220-240	30	105	64	370	C	2000	i16188435414	
42	R63	E27	42R63/ECO/E27	220-240	30	105	64	630	C	2000	i16188447414	
R80 Series - E27 Socket												
28	R80	E27	28R80/ECO/E27	220-240	30	116	80	370	C	2000	i16188423414	
42	R80	E27	42R80/ECO/E27	220-240	30	116	80	630	C	2000	i16188435414	
52	R80	E27	52R80/ECO/E27	220-240	30	116	80	835	C	2000	i16188447414	
72	R80	E27	70R80/ECO/E27	220-240	30	116	80	1172	C	2000	i16188447414	

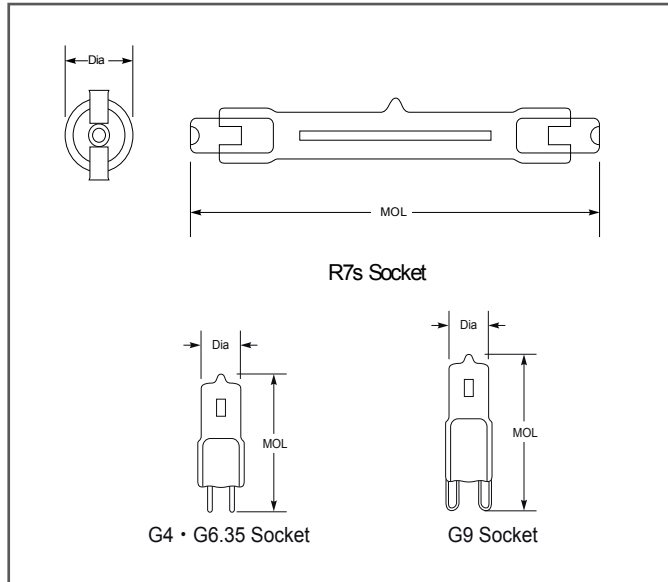
* 120/130V available upon request Dimensions are given in millimetres unless noted otherwise please dispose responsibly.



Energy-Saving Eco Halogen Lamps

ENERGY-SAVING ECO HALOGEN LAMPS

- Stable
- Long life time



Rated Power	Glass Type	Socket	Matchcode	Voltage Unit	ANSI	Packing Unit.	CBCP (cd)	Beam Angle	Spread	Lifetime (Avg Hrs)	Color Temp (K)	Article No.
Double-Ended Linear Lamps												
80	T3	R7s	80J78/EO/R7S	220-240	100	78	8	1000	C	2900	2000	i16188423414
120	T3	R7s	120J78/EO/R7S	220-240	100	78	8	1500	C	2900	2000	i16188435414
	T4	R7s	120J118/EO/R7S	220-240	100	118	10	2400	C	2900	2000	i16188435414
160	T4	R7s	160J118/EO/R7S	220-240	100	118	10	3000	C	2900	2000	i16188447414
230	T4	R7s	230J118/EO/R7S	220-240	100	118	10	4250	C	2900	2000	i16188447414
400	T4	R7s	400J118/EO/R7S	220-240	100	118	10	10000	C	2900	2000	i16188423414
Capsule Lamps - G4, G6.35												
14	T3	G4	JC14W/EO/220/G4	220-240	100	33	8	143	C	2850	2000	i16188447414
14	T3	G6.35	JC20W/EO/220/GY6.35	220-240	100	44	10	235	C	3000	2000	i16188447414
18	T3	G6.35	JC35W/EO/220/GY6.35	220-240	100	44	10	495	C	3000	2000	i16188423414
Capsule Lamps - G9												
18	T4	G9	JCD18W/EO/G9	220-240	100	44	13.5	205	C	2900	2000	i16188447414
28	T4	G9	JCD28W/EO/G9	220-240	100	44	13.5	370	C	2900	2000	i16188447414
33	T4	G9	JCD33W/EO/G9	220-240	100	44	13.5	458	C	2950	2000	i16188423414
42	T4	G9	JCD42W/EO/G9	220-240	100	44	13.5	630	C	3000	2000	i16188435414
52	T4	G9	JCD52W/EO/G9	220-240	100	44	13.5	835	C	3000	2000	i16188447414
70	T4	G9	JCD70W/EO/G9	220-240	100	44	13.5	1172	C	3000	2000	i16188447414

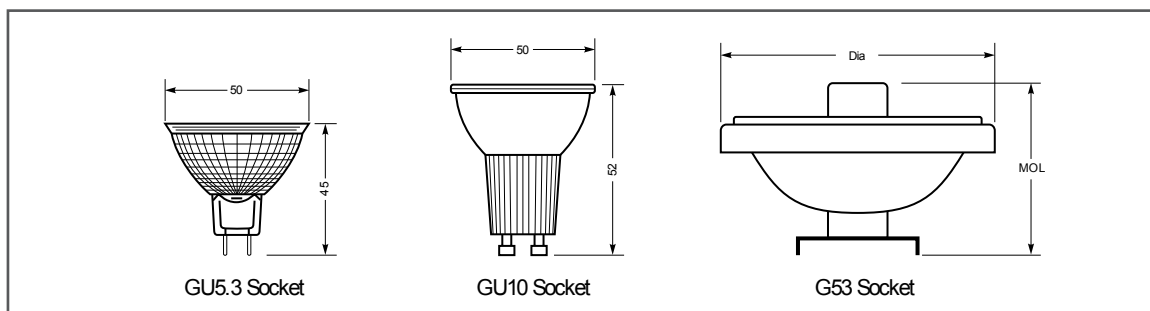
* 120/130V available upon request Dimensions are given in millimetres unless noted otherwise please dispose responsibly.



Energy-Saving Eco Halogen Lamps

ENERGY-SAVING ECO HALOGEN LAMPS

- Stable
- Long life time



Rated Power	Glass Type	Socket	Matchcode	Voltage Unit	Packing Unit	CBCP (cd)	Beam Angle	Spread	Energy Class	Color		Article No.
										Temp (K)	Lifetime (Avg Hrs)	
MR16 Series - GU5.3 Socket												
14	MR16	GU5.3	14MR16/ECO/12/SP	12	20	3200	12°	Spot	C	2900	3000	i16188435414
			14MR16/ECO/12/NFL	12	20	970	24°	N.Flood	C	2900	3000	i16188447414
			14MR16/ECO/12/FL	12	20	520	36°	Flood	C	2900	3000	i16188447414
20	MR16	GU5.3	20MR16/ECO/12/SP	12	20	6200	12°	Spot	C	3000	3000	i16188435414
			20MR16/ECO/12/NFL	12	20	1920	24°	N.Flood	C	3000	3000	i16188447414
			20MR16/ECO/12/FL	12	20	940	36°	Flood	C	3000	3000	i16188447414
35	MR16	GU5.3	35MR16/ECO/12/SP	12	20	11500	12°	Spot	C	3100	3000	i16188435414
			35MR16/ECO/12/NFL	12	20	3560	24°	N.Flood	C	3100	3000	i16188447414
			35MR16/ECO/12/FL	12	20	1560	36°	Flood	C	3100	3000	i16188447414
			35MR16/ECO/12/WFL	12	20	950	60°	W.Flood	C	3100	3000	i16188447414
MR16 Series - GU10 Socket* 120/130V available upon request												
18	MR16	GU10	18MR16/ECO/GU10/NFL	220-240	20	320	24°	N.Flood	C	2900	2000	i16188435414
			18MR16/ECO/GU10/FL	220-240	20	260	36°	Flood	C	2900	2000	i16188447414
28	MR16	GU10	28MR16/ECO/GU10/NFL	220-240	20	500	24°	N.Flood	C	2900	2000	i16188435414
			28MR16/ECO/GU10/FL	220-240	20	320	36°	Flood	C	2900	2000	i16188447414
42	MR16	GU10	42MR16/ECO/GU10/NFL	220-240	20	700	24°	N.Flood	C	3000	2000	i16188435414
			42MR16/ECO/GU10/FL	220-240	20	550	36°	Flood	C	3000	2000	i16188447414
AR111 Series - G53 Socket												
28	AR111	G53	28AR111/ECO/12/G53/SP	12	20	11250	8°	Spot	C	3000	3000	i16188423414
			28AR111/ECO/12/G53/NFL	12	20	2250	24°	N.Flood	C	3000	3000	i16188435414
			28AR111/ECO/12/G53/FL	12	20	840	45°	Flood	C	3000	3000	i16188447414
40	AR111	G53	40AR111/ECO/12/G53/SP	12	20	18000	8°	Spot	C	3500	3000	i16188423414
			40AR111/ECO/12/G53/NFL	12	20	3600	24°	N.Flood	C	3500	3000	i16188425414
			40AR111/ECO/12/G53/FL	12	20	1350	45°	Flood	C	3500	3000	i16188447414
75	AR111	G53	75AR111/ECO/12/G53/SP	12	20	36000	8°	Spot	C	3100	3000	i16188423414
			75AR111/ECO/12/G53/NFL	12	20	7200	24°	N.Flood	C	3100	3000	i16188435414
			75AR111/ECO/12/G53/FL	12	20	2700	45°	Flood	C	3100	3000	i16188447414

Dimensions are given in millimetres unless noted otherwise please dispose responsibly.



Headquarter Germany

Mattentwiete 5
20457 Hamburg
Germany

☎ +49 - 40 32 08 27 3
☎ +49 - 40 32 08 27 59

✉ mail@merkur-hamburg.de

Office United Arab Emirates

Level 41, Emirates Towers
Sheikh Zayed Road
P.O. Box: 31 303
Dubai - U.A.E.

☎ +971 - 43 13 28 92
☎ +971 - 43 13 27 53

Office Hongkong

Unit 1202, Level 12,
One Peking Building
1 Peking Road, Tsim Sha Tsui
Hongkong

☎ +852 - 39 80 92 25
☎ +852 - 39 80 92 34

Distributors

Afghanisatan

Liberty Corporation Co.
64m Street, Herat City
Afghanistan
☎ +937 - 99 69 44 81

Bahrain

Shaheen Group
P.O.Box 405
Manama
Kingdom of Bahrain
☎ +973 -17 81 35 35z

Cameroon

CALICO Sarl
BP 15566
Douala
Cameroon
☎ +237- 22 43 80 44

Ghana

Luminant Electricals
P.O. Box CT5204
Cantonment-Accra
Ghana
☎ +233 - 27 52 29 62 2

Lebanon

Tele Project
P.O. Box 55268
Sin el Fil
Lebanon
☎ +961 - 16 87 900

Oman

Trade Links and Services Co. LLC
P.O.Box 2901
Ruwi 112
Sultanate of Oman
☎ +968 - 24 70 67 75

Saudi Arabia

Ahmed Omer Bagazy Est.
P.O. Box 16367
Jeddah 21464
Saudi Arabia
☎ +966 - 26 47 29 28

Sri Lanka

Rotax Limited
332 Galle Road
Colombo 04
Sri Lanka
☎ +94 - 11 55 74 07 0

United Arab Emirates

Gilco Trading LLC
P.O. Box 4916
Daira, Dubai
United Arab Emirates
☎ +971 - 43 96 15 25

Yemen

Al Ashwal for Electrical Trade &
Agencies
Shoub Street
Sana'a
Yemen Republic
☎ +967 - 12 82 43 2