

Flourescent Lamps



MERKUR – German Technology

Content

■ Fluorescent Lamps	4
■ High Power CHS Compact Fluorescent Lamps	6
■ CHS Compact Fluorescent Lamps	7
■ 2U Compact Fluorescent Lamps	8
■ 3U Compact Fluorescent Lamps	9
■ High Power Compact Fluorescent Lamps	10
■ Compact Fluorescent Lamps CL - S	12
■ Compact Fluorescent Lamps CL - DE	13
■ Compact Fluorescent Lamps CL - D	14
■ Compact Fluorescent Lamps CL - T	15
■ Compact Fluorescent Lamps CL - SE	16
■ Compact Fluorescent Lamps CL - TE	17
■ Compact Fluorescent Lamps CL - SE	18
■ High Lumen Output Linear Fluorescent Lamps-T5	19

Lighting



Ulrich Scheller
Export Manager

For over 100 years – since the time of Werner von Siemens – German Technology is renown for outstanding innovation and technical leadership. **MERKUR**® Ueberseehandel GmbH is committed to this long tradition.

Under **MERKUR**® German Technology we develop and produce warranted, durable high quality products in the following segments:

- Electrotechnology
- **DUPROLUX**® Lighting
- Metering
- Power Distribution
- Climatisation
- Renewable Energy

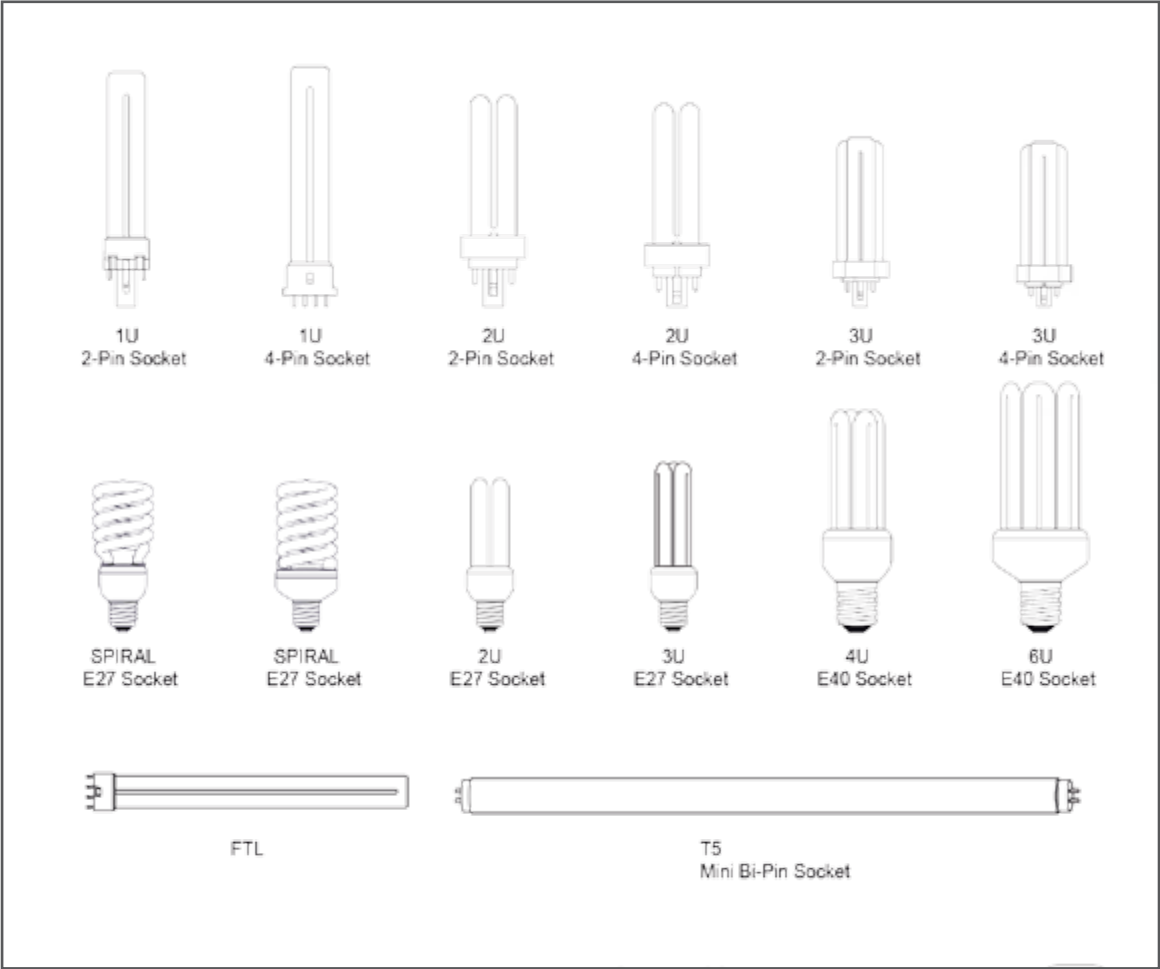
MERKUR clients worldwide can rely on our vast experience. We offer authorised distributors competitive prices better allowing them to compete in the market. We also successfully cooperate with contractors who are bidding for public utility tenders.

MERKUR® is a reliable partner with a tradition of providing individually tailored products and solutions in accordance with customers' needs. Contact us and we gladly assist you with more details about our products and services. Get in touch with us!

Export Manager

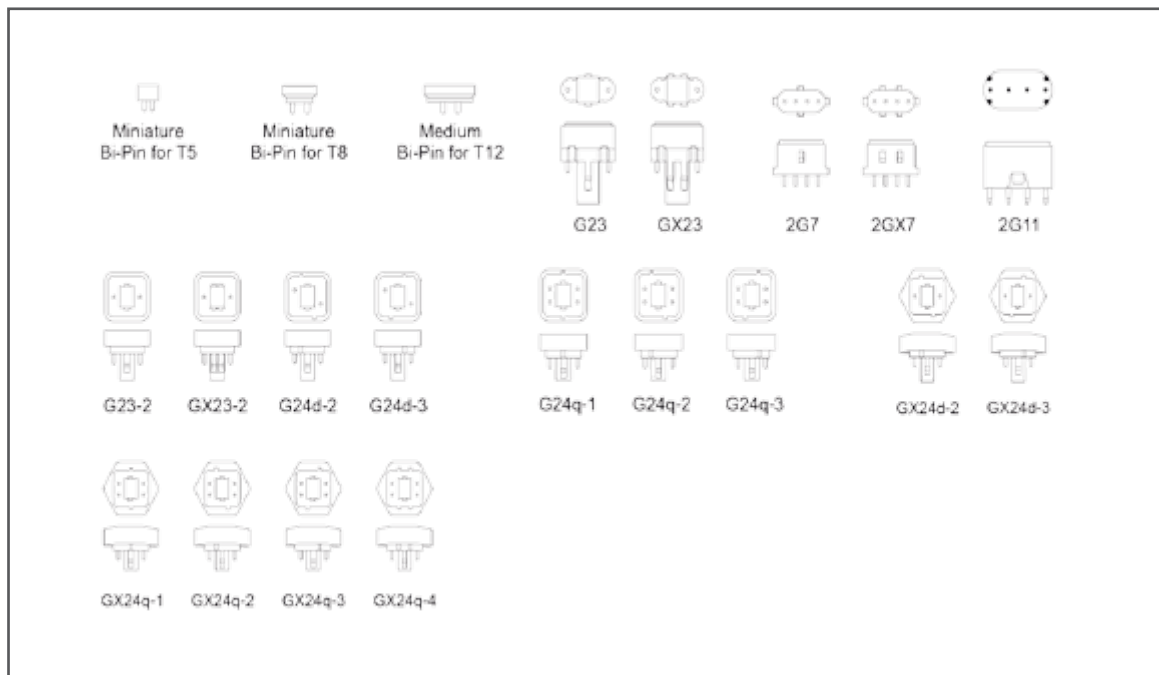
Flourescent Lamps

TUBE TYPES



Flourescent Lamps

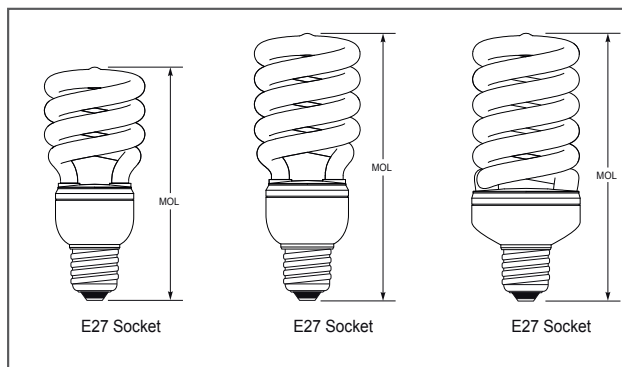
BASES



High Power CHS Compact Fluorescent Lamps

HIGH POWER CHS COMPACT FLOURESCENT LAMPS

- High Luminous Output
- 75% Lower Power Consumption than Incandescent Bulbs
- Average life 10000hours



Rated Power	Glass Type	Socket	Matchcode	Voltage Unit	Packing Unit	Dimensions		Lumens (lm)	Lifetime (Avg Hrs)	Color		Article No.
						MOL (mm)				Temp (K)	CRI	
High Power Spiral - 17mm												
45	17	E40	CHS45W/SP/827	220V/240V	12	205	2925	10000	2700	82	G15651332838	
			CHS45W/SP/841	220V/240V	12	205	2925	10000	4100	82	G15651332852	
			CHS45W/SP/865	220V/240V	12	205	2745	10000	6500	82	G15651332876	
55	17	E40	CHS55W/SP/827	220V/240V	12	215	3575	10000	2700	82	G16651332838	
			CHS55W/SP/841	220V/240V	12	215	3575	10000	4100	82	G16651332852	
			CHS55W/SP/865	220V/240V	12	215	3355	10000	6500	82	G16651332876	
65	17	E40	CHS65W/SP/827	220V/240V	12	225	4225	10000	2700	82	G17651332838	
			CHS65W/SP/841	220V/240V	12	225	4225	10000	4100	82	G17651332852	
			CHS65W/SP/865	220V/240V	12	225	3965	10000	6500	82	G17651332876	
75	17	E40	CHS75W/SP/827	220V/240V	12	235	4875	10000	2700	82	G18651332838	
			CHS75W/SP/841	220V/240V	12	235	4875	10000	4100	82	G18651332852	
			CHS75W/SP/865	220V/240V	12	235	4575	10000	6500	82	G18651332876	
85	17	E40	CHS85W/SP/827	220V/240V	12	245	5525	10000	2700	82	G19651332838	
			CHS85W/SP/841	220V/240V	12	245	5525	10000	4100	82	G19651332852	
			CHS85W/SP/865	220V/240V	12	245	5185	10000	6500	82	G19651332876	

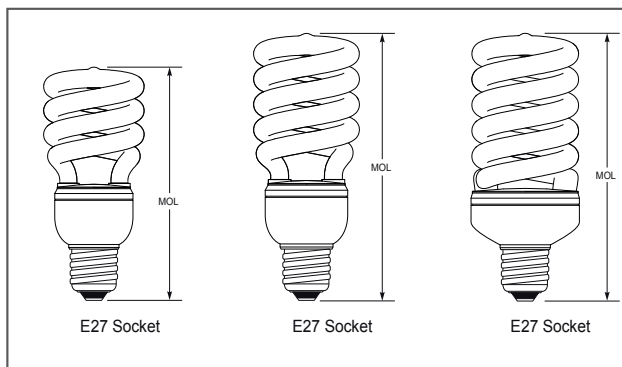
Dimensions are given in millimetres unless noted otherwise please dispose responsibly.



CHS Compact Fluorescent Lamps

CHS COMPACT FLOURESCENT LAMPS (SELF-BALLAST MINI Spiral)

- High Luminous Output
- 75% Lower Power Consumption than Incandescent Bulbs
- Average life 10000hours



Rated Power	Glass Type	Socket	Matchcode	Voltage Unit	Packing Unit	Dimensions			Color			Article No.
						MOL (mm)	Lumens (lm)	Lifetime (Avg Hrs)	Temp (K)	CRI		
Mini Half Spiral - 9mm												
3	9	E27	CHS3W/SP/827	220V/240V	25	87	195	10000	2700	82	G11438321038	
			CHS3W/SP/841	220V/240V	25	87	195	10000	4100	82	G11438331052	
			CHS3W/SP/865	220V/240V	25	87	186	10000	6500	82	G11438331076	
5	9	E27	CHS5W/SP/827	220V/240V	25	93	325	10000	2700	82	G11638331038	
			CHS5W/SP/841	220V/240V	25	93	325	10000	4100	82	G11638331052	
			CHS5W/SP/865	220V/240V	25	93	310	10000	6500	82	G11638331076	
7	9	E27	CHS7W/SP/827	220V/240V	25	99	455	10000	2700	82	G11838331038	
			CHS7W/SP/841	220V/240V	25	99	455	10000	4100	82	G11838331052	
			CHS7W/SP/865	220V/240V	25	99	434	10000	6500	82	G11838331076	
9	9	E27	CHS9W/SP/827	220V/240V	25	105	585	10000	2700	82	G11038331038	
			CHS9W/SP/841	220V/240V	25	105	585	10000	4100	82	G11038331052	
			CHS9W/SP/865	220V/240V	25	105	558	10000	6500	82	G11038331076	
11	9	E27	CHS11W/SP/827	220V/240V	25	111	700	10000	2700	82	G12338331038	
			CHS11W/SP/841	220V/240V	25	111	700	10000	4100	82	G12238331052	
			CHS11W/SP/865	220V/240V	25	111	660	10000	6500	82	G12238331076	
Mini Half Spiral - 12mm												
15	12	E27	CHS15W/SP/827	220V/240V	25	116	1000	10000	2700	82	G12638332338	
			CHS15W/SP/841	220V/240V	25	116	1000	10000	4100	82	G12638332352	
			CHS15W/SP/865	220V/240V	25	116	945	10000	6500	82	G12638332376	
18	12	E27	CHS18W/SP/827	220V/240V	25	124	1170	10000	2700	82	G12938332337	
			CHS18W/SP/841	220V/240V	25	124	1170	10000	4100	82	G12938332352	
			CHS18W/SP/865	220V/240V	25	124	1098	10000	6500	82	G12938332376	
20	12	E27	CHS20W/SP/827	220V/240V	25	132	1300	10000	2700	82	G13138332338	
			CHS20W/SP/841	220V/240V	25	132	1300	10000	4100	82	G13138332352	
			CHS20W/SP/865	220V/240V	25	132	1220	10000	6500	82	G13138332376	
23	12	E27	CHS23W/SP/827	220V/240V	25	140	1495	10000	2700	82	G13438332338	
			CHS23W/SP/841	220V/240V	25	140	1495	10000	4100	82	G13438332352	
			CHS23W/SP/865	220V/240V	25	140	1403	10000	6500	82	G13438332376	

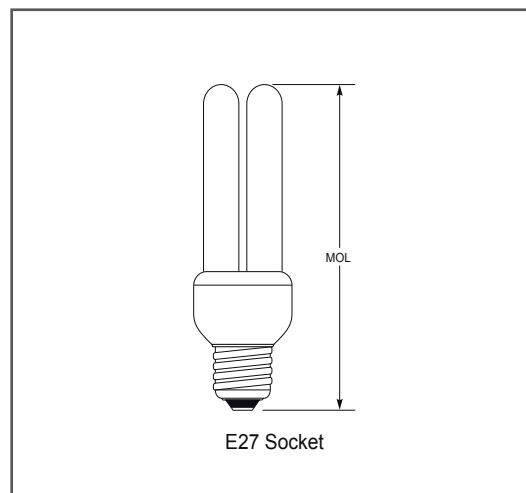
Dimensions are given in millimetres unless noted otherwise please dispose responsibly.



2U Compact Fluorescent Lamps

2U COMPACT FLOURESCENT LAMPS

- High Luminous Output
- 75% Lower Power Consumption than Incandescent Bulbs
- Average life 10000hours



Rated Power	Glass Type	Socket	Matchcode	Voltage Unit	Packing Unit	Dimensions		Lumens (lm)	Lifetime (Avg Hrs)	Color		Article No.
						MOL (mm)				Temp (K)	CRI	
CFL2U - 9mm												
3	9	E27	CFL3W/2U/827	220V/240V	25	95	130	10000	2700	82	G11438351038	
			CFL3W/2U/841	220V/240V	25	95	130	10000	4100	82	G11438351052	
			CFL3W/2U/865	220V/240V	25	95	123	10000	6500	82	G11438351076	
5	9	E27	CFL5W/2U/827	220V/240V	25	105	220	10000	2700	82	G11638351038	
			CFL5W/2U/841	220V/240V	25	105	220	10000	4100	82	G11638351052	
			CFL5W/2U/865	220V/240V	25	105	210	10000	6500	82	G11638351076	
7	9	E27	CFL7W/2U/827	220V/240V	25	115	310	10000	2700	82	G11838351038	
			CFL7W/2U/841	220V/240V	25	115	310	10000	4100	82	G11838351052	
			CFL7W/2U/865	220V/240V	25	115	290	10000	6500	82	G11838351076	
9	9	E27	CFL9W/2U/827	220V/240V	25	125	450	10000	2700	82	G11038351038	
			CFL9W/2U/841	220V/240V	25	125	450	10000	4100	82	G11038351052	
			CFL9W/2U/865	220V/240V	25	125	425	10000	6500	82	G11038351076	
11	9	E27	CFL11W/2U/827	220V/240V	25	135	600	10000	2700	82	G12238351038	
			CFL11W/2U/841	220V/240V	25	135	600	10000	4100	82	G12238351052	
			CFL11W/2U/865	220V/240V	25	135	575	10000	6500	82	G12238351076	
CFL2U - 12mm												
15	12	E27	CFL15W/2U/827	220V/240V	25	170	880	10000	2700	82	G12638352338	
			CFL15W/2U/841	220V/240V	25	170	880	10000	4100	82	G12638352352	
			CFL15W/2U/865	220V/240V	25	170	840	10000	6500	82	G12638352376	

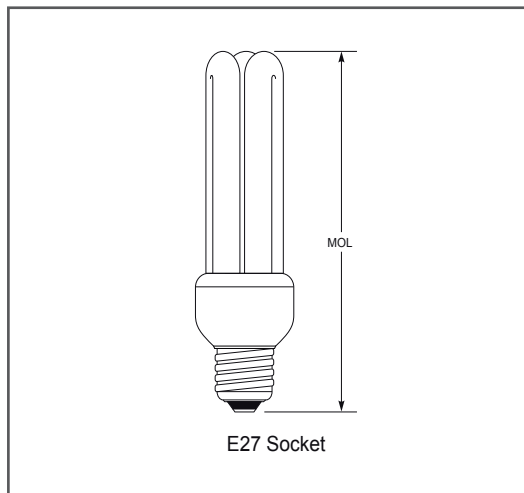
Dimensions are given in millimetres unless noted otherwise please dispose responsibly.



3U Compact Fluorescent Lamps

3U COMPACT FLOURESCENT LAMPS

- High Luminous Output
- 75% Lower Power Consumption than Incandescent Bulbs
- Average life 10000hours



Rated Power	Glass Type	Socket	Matchcode	Voltage Unit	Packing Unit	Dimensions			Approx. Lumens (lm)	Lifetime (Avg Hrs)	Color Temp (K)	Article No.
						Dia. (mm)	MOL (mm)	LCL (mm)				
Double Contact Bayonet Socket-BA15d (D.C. Bay)												
35	T4	BA15d	JD35/BA15d	230V-240V	100	14	66	32	400	2000	2800	i14626164114
50	T4	BA15d	JD50/BA15d	230V-240V	100	14	66	32	550	2000	2800	i16426164114
75	T4	BA15d	JD75/BA15d	230V-240V	100	14	66	32	900	2000	2800	i18626164114
100	T4	BA15d	JD100/BA15d	230V-240V	100	14	66	35	1200	2000	2900	i21126164114
150	T4	BA15d	JD150/BA15d	230V-240V	100	14	66	35	2100	2000	2900	i26126164114
250	T4	BA15d	JD250/BA15d	230V-240V	100	14	66	35	4500	2000	2900	i36126164114
Mini Candelabra Socket - E11(Mini-Can)												
35	T4	E11	JD35/E11	230V-240V	100	14	66	32	400	2000	2800	i14622164114
50	T4	E11	JD50/E11	230V-240V	100	14	66	32	550	2000	2800	i16122164114
75	T4	E11	JD75/E11	230V-240V	100	14	66	32	900	2000	2800	i18622164114
100	T4	E11	JD100/E11	230V-240V	100	14	66	35	1200	2000	2900	i21122164114
150	T4	E11	JD150/E11	230V-240V	100	14	66	35	2100	2000	2900	i26122164114
250	T4	E11	JD250/E11	230V-240V	100	14	66	35	4500	2000	2900	i36122164114
500	T4	E11	JD500/E11	230V-240V	100	14	66	35	9500	2000	2900	i61122164114

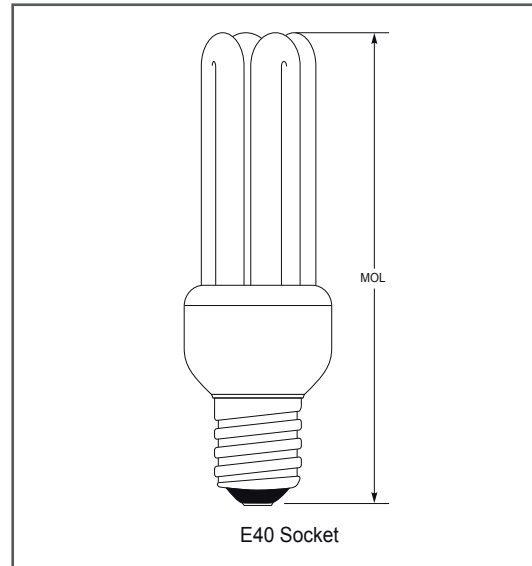
Dimensions are given in millimetres unless noted otherwise please dispose responsibly.



High Power Compact Fluorescent Lamps

HIGH POWER COMPACT FLOURESCENT LAMPS

- High Luminous Output
- 75% Lower Power Consumption than Incandescent Bulbs
- Average life 10000hours



Rated Power	Glass Type	Socket	Matchcode	Voltage Unit	Packing Unit	Dimensions		Lumens (lm)	Lifetime (Avg Hrs)	Color		Article No.
						MOL (mm)				Temp (K)	CRI	
High Power 4U - 14.5mm												
45	14.5	E40	CFL45W/4U/827	220V/240V	20	235	3150	10000	2700	82	G15651552638	
			CFL45W/4U/841	220V/240V	20	235	3150	10000	4100	82	G15651552652	
			CFL45W/4U/865	220V/240V	20	235	2430	10000	6500	82	G15651552676	
55	14.5	E40	CFL55W/4U/827	220V/240V	20	255	3850	10000	2700	82	G16651552638	
			CFL55W/4U/841	220V/240V	20	255	3850	10000	4100	82	G16651552652	
			CFL55W/4U/865	220V/240V	20	255	3680	10000	6500	82	G16651552676	
High Power 4U - 16mm												
65	16	E40	CFL65W/4U/827	220V/240V	20	265	4450	10000	2700	82	G17651552738	
			CFL65W/4U/841	220V/240V	20	265	4450	10000	4100	82	G17651552752	
			CFL65W/4U/865	220V/240V	20	265	4250	10000	6500	82	G17651552776	
85	16	E40	CFL85W/4U/827	220V/240V	20	285	5950	10000	2700	82	G19651552738	
			CFL85W/4U/841	220V/240V	20	285	5950	10000	4100	82	G19651552752	
			CFL85W/4U/865	220V/240V	20	285	5650	10000	6500	82	G19651552776	

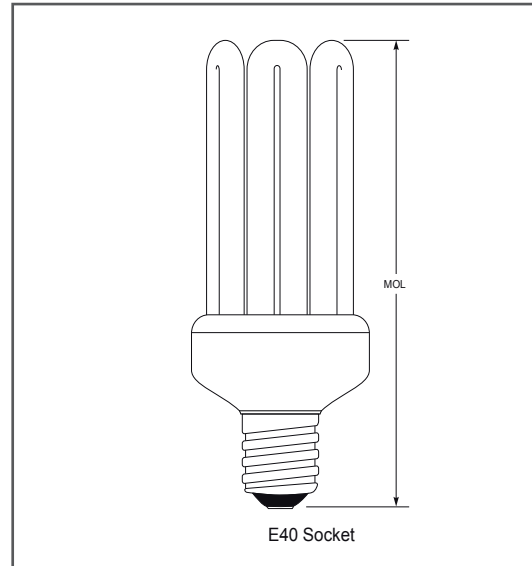
Dimensions are given in millimetres unless noted otherwise please dispose responsibly.



High Power Compact Fluorescent Lamps

HIGH POWER COMPACT FLOURESCENT LAMPS

- High Luminous Output
- 75% Lower Power Consumption than Incandescent Bulbs
- Average life 10000hours



Rated Power	Glass Type	Socket	Matchcode	Voltage Unit	Packing Unit	Dimensions		Lumens (lm)	Lifetime (Avg Hrs)	Color		Article No.
						MOL (mm)				Temp (K)	CRI	
High Power 6U - 16mm												
105	16	E40	CFL105W/6U/827	220V/240V	20	270	7875	10000	2700	82	G21651752738	
			CFL105W/6U/841	220V/240V	20	270	7875	10000	4100	82	G21651752752	
			CFL105W/6U/865	220V/240V	20	270	7450	10000	6500	82	G21651752776	

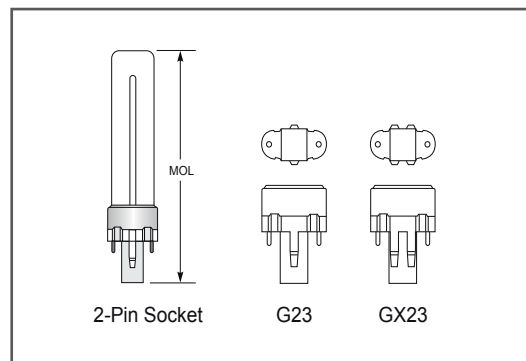
Dimensions are given in millimetres unless noted otherwise please dispose responsibly.



Compact Fluorescent Lamps CL - S

COMPACT FLUORESCENT LAMPS CL - S

- High Light Output
- Long Life time
- Wide variety of color temperature



Rated Power	Glass Type	Socket	Matchcode	Lamp Type	Packing Unit	Dimensions		Lifetime (Avg Hrs)	Color		Article No.
						MOL (mm)	Initial (lm)		Mean (lm)	Temp (K)	
Single Tube 2-Pin G23 Socket											
5	T4	G23	PL5W/1U/2P/827	CL-S5W/G23/827	50	110	250	210	10000	2700	F11622312312
			PL5W/1U/2P/835	CL-S5W/G23/835	50	110	250	210	10000	3500	F11622312412
			PL5W/1U/2P/841	CL-S5W/G23/841	50	110	250	210	10000	4100	F11622312512
			PL5W/1U/2P/865	CL-S5W/G23/865	50	110	240	200	10000	6500	F11622312612
7	T4	G23	PL7W/1U/2P/827	CL-S7W/G23/827	50	139	400	340	10000	2700	F11822312312
			PL7W/1U/2P/835	CL-S7W/G23/835	50	139	400	340	10000	3500	F11822312412
			PL7W/1U/2P/841	CL-S7W/G23/841	50	139	400	340	10000	4100	F11822312512
			PL7W/1U/2P/865	CL-S7W/G23/865	50	139	380	320	10000	6500	F11822312612
9	T4	G23	PL9W/1U/2P/827	CL-S9W/G23/827	50	170	600	510	10000	2700	F11022312312
			PL9W/1U/2P/835	CL-S9W/G23/835	50	170	600	510	10000	3500	F11022312412
			PL9W/1U/2P/841	CL-S9W/G23/841	50	170	600	510	10000	4100	F11022312512
			PL9W/1U/2P/865	CL-S9W/G23/865	50	170	570	485	10000	6500	F110223126312
Single Tube 2-Pin GX23 Socket											
13	T4	GX23	PL13W/1U/2P/827	CL-S13W/GX23/827	50	182	800	720	10000	2700	F12422313312
			PL13W/1U/2P/835	CL-S13W/GX23/835	50	182	800	720	10000	3500	F12422313412
			PL13W/1U/2P/841	CL-S13W/GX23/841	50	182	800	720	10000	4100	F12422313512
			PL13W/1U/2P/865	CL-S13W/GX23/865	50	182	760	680	10000	6500	F124223136312

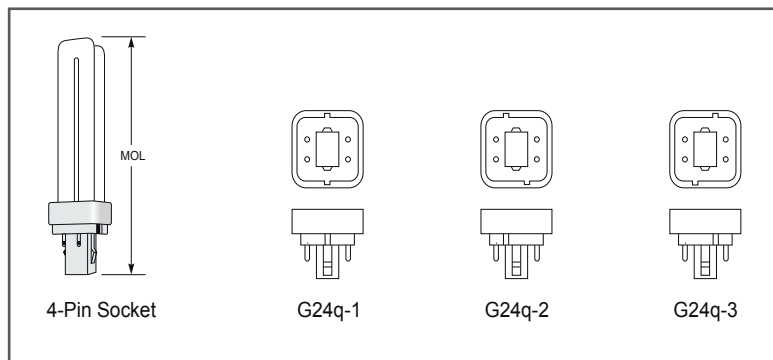
Dimensions are given in millimetres unless noted otherwise please dispose responsibly.



Compact Fluorescent Lamps CL - DE

COMPACT FLUORESCENT LAMPS CL - DE

- High Light Output
- Long Life time
- Wide variety of color temperature
- Dimmable with suitable electric ballasts



Rated Power	Glass Type	Socket	Matchcode	Lamp Type	Dimensions		Lumen		Lifetime (Avg Hrs)	Color Temp (K)	Article No.
					Packing Unit	MOL (mm)	Initial (lm)	Mean (lm)			
Double Tube 4-Pin G24q-1 Socket for Electronic Ballasts-Dimmable											
10	T4	G24q-1	PL10W/2U/4P/827	CL-DE10W/G24q/827	50	105	600	540	10000	2700	G12133510312
			PL10W/2U/4P/835	CL-DE10W/G24q/835	50	105	600	540	10000	3500	G12133510412
			PL10W/2U/4P/841	CL-DE10W/G24q/841	50	105	600	540	10000	4100	G12133510512
13	T4	G24q-1	PL13W/2U/4P/827	CL-DE13W/G24q/827	50	134	900	810	10000	2700	G12433510312
			PL13W/2U/4P/835	CL-DE13W/G24q/835	50	134	900	810	10000	3500	G12433510412
			PL13W/2U/4P/841	CL-DE13W/G24q/841	50	134	900	810	10000	4100	G12433510512
			PL13W/2U/4P/865	CL-DE13W/G24q/865	50	134	860	770	10000	6500	G12433510712
Double Tube 4-Pin G24q-2 Socket for Electronic Ballasts-Dimmable											
18	T4	G24q-2	PL18W/2U/4P/827	CL-DE18W/G24q/827	50	149	1200	1080	10000	2700	G12933521312
			PL18W/2U/4P/835	CL-DE18W/G24q/835	50	149	1200	1080	10000	3500	G12933521412
			PL18W/2U/4P/841	CL-DE18W/G24q/841	50	149	1200	1080	10000	4100	G12933521412
Double Tube 4-Pin G24q-3 Socket for Electronic Ballasts-Dimmable											
26	T4	G24q-2	PL26W/2U/4P/827	CL-DE26W/G24q/827	50	167	1800	1620	10000	2700	G13733522312
			PL26W/2U/4P/835	CL-DE26W/G24q/835	50	167	1800	1620	10000	3500	G13733522412
			PL26W/2U/4P/841	CL-DE26W/G24q/841	50	167	1800	1620	10000	4100	G13733522512
			PL26W/2U/4P/865	CL-DE26W/G24q/865	50	167	1710	1540	10000	6500	G13733522612

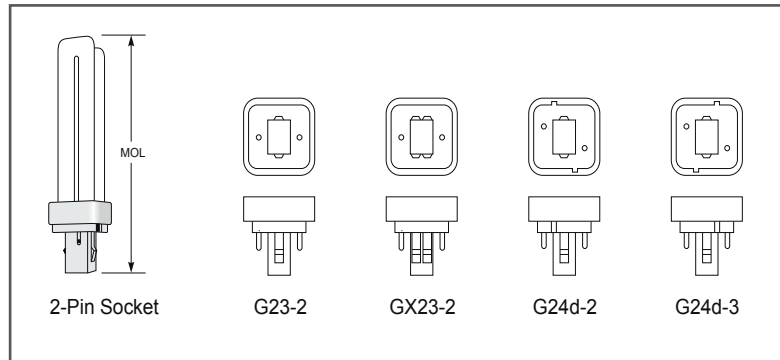
Dimensions are given in millimetres unless noted otherwise please dispose responsibly.



Compact Fluorescent Lamps CL - D

COMPACT FLUORESCENT LAMPS CL - D

- High Light Output
- Long Life time
- Wide variety of color temperature



Rated Power	Glass Type	Socket	Matchcode	Lamp Type	Dimensions		Dimensions		Color		Article No.
					Packing Unit	MOL (mm)	Initial (lm)	Mean (lm)	Lifetime (Avg Hrs)	Temp (K)	
Double Tube 2-Pin G23-2 Socket											
9	T4	G23-2	PL9W/2U/2P/827	CL-D9W/G23/827	50	110	525	440	10000	2700	G11023316312
			PL9W/2U/2P/835	CL-D9W/G23/835	50	110	525	440	10000	3500	G11023316412
			PL9W/2U/2P/841	CL-D9W/G23/841	50	110	525	440	10000	4100	G11023316512
			PL9W/2U/2P/865	CL-D9W/G23/865	50	110	500	420	10000	6500	G11023316612
Double Tube 2-Pin GX23-2 Socket											
13	T4	GX23-2	PL13W/2U/2P/827	CL-D13W/GX23/827	50	120	780	665	10000	2700	G12413317312
			PL13W/2U/2P/835	CL-D13W/GX23/835	50	120	780	665	10000	3500	G12413317412
			PL13W/2U/2P/841	CL-D13W/GX23/841	50	120	780	665	10000	4100	G12413317512
			PL13W/2U/2P/865	CL-D13W/GX23/865	50	120	740	650	10000	6500	G12413317612
Double Tube 2-Pin G24d-2 Socket											
18	T4	G24d-2	PL18W/2U/2P/827	CL-D18W/G24d/827	50	154	1200	1080	10000	2700	G12923318312
			PL18W/2U/2P/835	CL-D18W/G24d/835	50	154	1200	1080	10000	3500	G12923318412
			PL18W/2U/2P/841	CL-D18W/G24d/841	50	154	1200	1080	10000	4100	G12923318512
			PL18W/2U/2P/865	CL-D18W/G24d/865	50	154	1140	1030	10000	6500	G129233186312
Double Tube 2-Pin G24d-3 Socket											
26	T4	G24d-3	PL26W/2U/2P/827	CL-D26W/G24d/827	50	175	1800	1620	10000	2700	G13723319312
			PL26W/2U/2P/835	CL-D26W/G24d/835	50	175	1800	1620	10000	3500	G13723319412
			PL26W/2U/2P/841	CL-D26W/G24d/841	50	175	1800	1620	10000	4100	G13723319512
			PL26W/2U/2P/865	CL-D26W/G24d/865	50	175	1710	1540	10000	6500	G13723319612

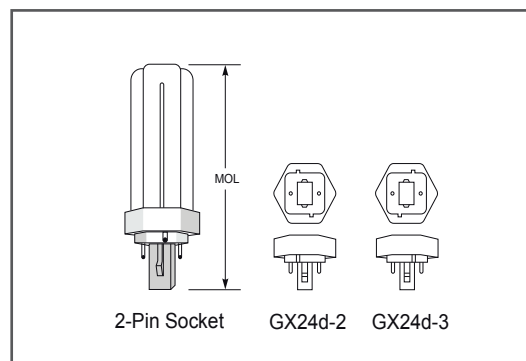
Dimensions are given in millimetres unless noted otherwise please dispose responsibly.



Compact Fluorescent Lamps CL - T

COMPACT FLUORESCENT LAMPS CL - T

- High Light Output
- Long Life time
- Wide variety of color temperature



Rated Power	Glass Type	Socket	Matchcode	Lamp Type	Packing Unit	Dimensions		Lumens		Color		Article No.
						MOL (mm)		Initial (lm)	Mean (lm)	Lifetime (Avg Hrs)	Temp (K)	
Triple Tube 2-Pin GX24d-2 Socket												
18	T4	GX24d-2	PL18W/3U/2P/827	CL-T18W/GX24d/827	50	123	1200	1080	10000	2700	G12924323312	
			PL18W/3U/2P/835	CL-T18W/GX24d/835	50	123	1200	1080	10000	3500	G12924323412	
			PL18W/3U/2P/841	CL-T18W/GX24d/841	50	123	1200	1080	10000	4100	G12924323512	
Triple Tube 2-Pin GX24d-3 Socket												
26	T4	GX24d-3	PL26W/3U/2P/827	CL-T26W/GX24d/827	50	139	1800	1620	10000	2700	G13724324312	
			PL26W/3U/2P/835	CL-T26W/GX24d/835	50	139	1800	1620	10000	3500	G13724324412	
			PL26W/3U/2P/841	CL-T26W/GX24d/841	50	139	1800	1620	10000	4100	G13724324512	

* 120/130V available upon request

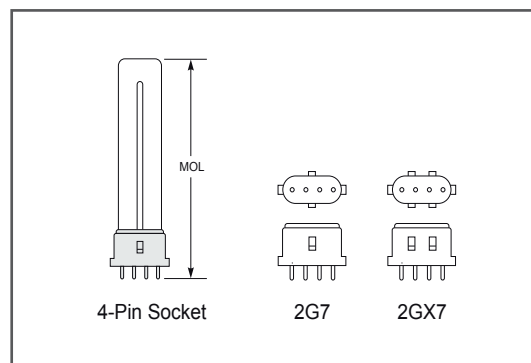
Dimensions are given in millimetres unless noted otherwise please dispose responsibly.



Compact Fluorescent Lamps CL - SE

COMPACT FLUORESCENT LAMPS CL - SE

- High Light Output
- Long Life time
- Wide variety of color temperature
- Dimmable with suitable electric ballasts



Rated Power	Glass Type	Socket	Matchcode	Lamp Type	Packing Unit	Dimensions		Dimensions		Lifetime (Avg Hrs)	Color Temp (K)	Article No.
						MOL (mm)	Initial (lm)	Mean (lm)				
Single Tube 4-Pin 2G7 Socket for Electronic Ballasts-Dimmable												
5	T4	2G7	PL5W/1U/4P/827	CL-SE5W/2G7/827	50	87	250	210	10000	2700	G11632514312	
			PL5W/1U/4P/835	CL-SE5W/2G7/835	50	87	250	210	10000	3500	G11632514312	
			PL5W/1U/4P/841	CL-SE5W/2G7/841	50	87	250	210	10000	4100	G11632514512	
7	T4	2G7	PL7W/1U/4P/827	CL-SE7W/2G7/827	50	116	400	340	10000	2700	G11832514312	
			PL7W/1U/4P/835	CL-SE7W/2G7/835	50	116	400	340	10000	3500	G11832514412	
			PL7W/1U/4P/841	CL-SE7W/2G7/841	50	116	400	340	10000	4100	G11832514512	
9	T4	2G7	PL9W/1U/4P/827	CL-SE9W/2G7/827	50	146	600	510	10000	2700	G11032514312	
			PL9W/1U/4P/835	CL-SE9W/2G7/835	50	146	600	510	10000	3500	G11032514412	
			PL9W/1U/4P/841	CL-SE9W/2G7/841	50	146	600	510	10000	4100	G11032514512	
Single Tube 4-Pin 2GX7 Socket for Electronic Ballasts-Dimmable												
13	T4	2GX7	PL13W/1U/4P/827	CL-SE13W/2G7/827	50	162	800	720	10000	2700	G12432515312	
			PL13W/1U/4P/830	CL-SE13W/2G7/830	50	162	800	720	10000	3000	G12432515112	
			PL13W/1U/4P/835	CL-SE13W/2G7/835	50	162	800	720	10000	3500	G12432515412	
			PL13W/1U/4P/841	CL-SE13W/2G7/841	50	162	800	720	10000	4100	G12432515512	

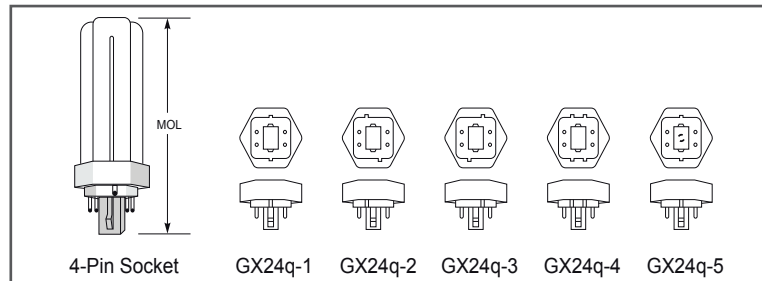
Dimensions are given in millimetres unless noted otherwise please dispose responsibly.



Compact Fluorescent Lamps CL - TE

COMPACT FLUORESCENT LAMPS CL - TE

- High Light Output
- Long Life time
- Wide variety of color temperature
- Dimmable with suitable electric ballasts



Rated Power	Glass Type	Socket	Matchcode	Lamp Type	Dimensions		Lumens		Lifetime (Avg Hrs)	Color Temp (K)	Article No.
					Packing Unit	MOL (mm)	Initial (lm)	Mean (lm)			
Triple Tube 4-Pin GX24q-1 Socket for Electronic Ballasts-Dimmable											
13	T4	GX24q-1	PL13W/3U/4P/827	CL-TE13W/GX24q/827	50	113	900	810	10000	2700	G12434525312
			PL13W/3U/4P/835	CL-TE13W/GX24q/835	50	113	900	810	10000	3500	G12434525412
			PL13W/3U/4P/841	CL-TE13W/GX24q/841	50	113	900	810	10000	4100	G12434525512
Triple Tube 4-Pin GX24q-2 Socket for Electronic Ballasts-Dimmable											
18	T4	GX24q-2	PL18W/3U/4P/827	CL-TE18W/GX24q/827	50	118	1200	1080	10000	2700	G12934526312
			PL18W/3U/4P/830	CL-TE18W/GX24q/830	50	118	1200	1080	10000	3000	G12934526112
			PL18W/3U/4P/835	CL-TE18W/GX24q/835	50	118	1200	1080	10000	3500	G12934526412
			PL18W/3U/4P/841	CL-TE18W/GX24q/841	50	118	1200	1080	10000	4100	G12934526512
			PL18W/3U/4P/865	CL-TE18W/GX24q/865	50	118	1140	1025	10000	6500	G12934526712
Triple Tube 4-Pin GX24q-3 Socket for Electronic Ballasts-Dimmable											
26	T4	GX24q-3	PL26W/3U/4P/827	CL-TE26W/GX24q/827	50	134	1800	1620	10000	2700	G13734527312
			PL26W/3U/4P/830	CL-TE26W/GX24q/830	50	134	1800	1620	10000	3000	G13734527112
			PL26W/3U/4P/835	CL-TE26W/GX24q/835	50	134	1800	1620	10000	3500	G13734527412
			PL26W/3U/4P/841	CL-TE26W/GX24q/841	50	134	1800	1620	10000	4100	G13734527512
			PL26W/3U/4P/865	CL-TE26W/GX24q/865	50	134	1710	1540	10000	6500	G13734527712
32	T4	GX24q-3	PL32W/3U/4P/827	CL-TE32W/GX24q/827	50	149	2400	2160	10000	2700	G14334527312
			PL32W/3U/4P/830	CL-TE32W/GX24q/830	50	149	2400	2160	10000	3000	G14334527112
			PL32W/3U/4P/835	CL-TE32W/GX24q/835	50	149	2400	2160	10000	3500	G14334527412
			PL32W/3U/4P/841	CL-TE32W/GX24q/841	50	149	2400	2160	10000	4100	G14334527512
			PL32W/3U/4P/865	CL-TE32W/GX24q/865	50	149	2280	2052	10000	6500	G14334527712
Triple Tube 4-Pin GX24q-4 Socket for Electronic Ballasts-Dimmable											
42	T4	GX24q-4	PL42W/3U/4P/827	CL-TE42W/GX24q/827	50	172	3200	2880	10000	2700	G15334528312
			PL42W/3U/4P/830	CL-TE42W/GX24q/830	50	172	3200	2880	10000	3000	G15334528112
			PL42W/3U/4P/835	CL-TE42W/GX24q/835	50	172	3200	2880	10000	3500	G15334528412
			PL42W/3U/4P/841	CL-TE42W/GX24q/841	50	172	3200	2880	10000	4100	G15334528512
			PL42W/3U/4P/865	CL-TE42W/GX24q/865	50	172	3040	2740	10000	6500	G15334528712
Triple Tube 4-Pin GX24q-5 Socket for Electronic Ballasts-Dimmable											
57	T4	GX24q-5	PL57W/3U/4P/827	CL-TE57W/GX24q/827	50	197	4300	3700	10000	2700	G16834528312
			PL57W/3U/4P/830	CL-TE57W/GX24q/830	50	197	4300	3700	10000	3000	G16834528112
			PL57W/3U/4P/835	CL-TE57W/GX24q/835	50	197	4300	3700	10000	3500	G16834528412
			PL57W/3U/4P/841	CL-TE57W/GX24q/841	50	197	4300	3700	10000	4100	G16834528512
			PL57W/3U/4P/865	CL-TE57W/GX24q/865	50	197	4085	3600	10000	6500	G16834528712

* 120/130V available upon request

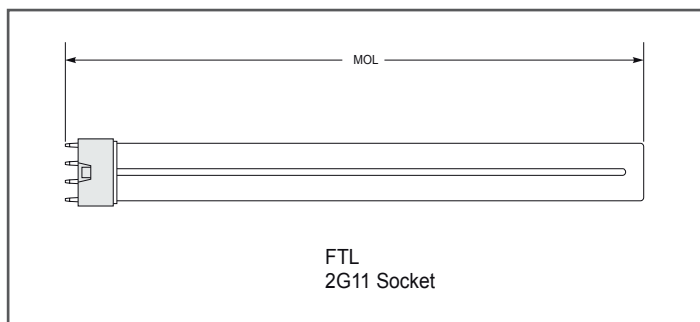
Dimensions are given in millimetres unless noted otherwise please dispose responsibly.



Compact Fluorescent Lamps CL - SE

COMPACT FLUORESCENT LAMPS CL - SE

- High Light Output
- Long Life time
- Wide variety of color temperature



Rated Power	Glass Socket Type	Matchcode	Lamp Type	Packing Type	Dimensions Lumens			Color			Article No.
					LCL (mm)	Initial (lm)	Mean (lm)	Lifetime (Avg Hrs)	Temp (K)	CRI	
Compact Fluorescent Lamps - FTL (2G11)											
18	FTL 2G11	FTL18/2G11/830	CL-SE18W/2G11/830	50	225	1250	1075	12000	3000	82	G12932731412
		FTL18/2G11/830/L	CL-SE18W/2G11/RS/830	50	262.5	1250	1075	20000	3000	82	G12932732412
		FTL18/2G11/835	CL-SE18W/2G11/835	50	225	1250	1075	12000	3500	82	G12932731462
		FTL18/2G11/835/L	CL-SE18W/2G11/RS/835	50	262.5	1250	1075	20000	3500	82	G12932732462
		FTL18/2G11/841	CL-SE18W/2G11/841	50	225	1250	1075	12000	4100	82	G12932731522
		FTL18/2G11/841/L	CL-SE18W/2G11/RS/841	50	262.5	1250	1075	20000	4100	82	G12932732522
24	FTL 2G11	FTL24/2G11/830	CL-SE24W/2G11/830	50	322.5	1800	1548	12000	3000	82	G13532731412
		FTL24/2G11/835	CL-SE24W/2G11/835	50	322.5	1800	1548	12000	3500	82	G13532731462
		FTL24/2G11/841	CL-SE24W/2G11/841	50	322.5	1800	1548	12000	4100	82	G13532731522
36	FTL 2G11	FTL36/2G11/830	CL-SE36W/2G11/830	50	415	2900	2494	12000	3000	82	G14732731412
		FTL36/2G11/835	CL-SE36W/2G11/835	50	415	2900	2494	12000	3500	82	G14732731462
		FTL36/2G11/841	CL-SE36W/2G11/841	50	415	2900	2494	12000	4100	82	G14732731522
40	FTL 2G11	FTL40/2G11/830	CL-SE40W/2G11/830	50	565	3150	2709	20000	3000	82	G15132731412
		FTL40/2G11/835	CL-SE40W/2G11/835	50	565	3150	2709	20000	3500	82	G15132731462
		FTL40/2G11/841	CL-SE40W/2G11/841	50	565	3150	2709	20000	4100	82	G15132731512
		FTL40/2G11/850	CL-SE40W/2G11/850	50	565	3150	2709	20000	5000	82	G15132731612
55	FTL 2G11	FTL55/2G11/830	CL-SE55W/2G11/830	50	527.5	4800	4128	12000	3000	82	G16632731412
		FTL55/2G11/835	CL-SE55W/2G11/835	50	527.5	4800	4128	12000	3500	82	G16632731462
		FTL55/2G11/841	CL-SE55W/2G11/841	50	527.5	4800	4128	12000	4100	82	G16632731512
80	FTL 2G11	FTL80/2G11/830	CL-SE80W/2G11/830	50	565	6000	5160	12000	3000	82	G19132731412
		FTL80/2G11/835	CL-SE80W/2G11/835	50	565	6000	5160	12000	3500	82	G19132731462
		FTL80/2G11/841	CL-SE80W/2G11/841	50	565	6000	5160	12000	4100	82	G19132731512

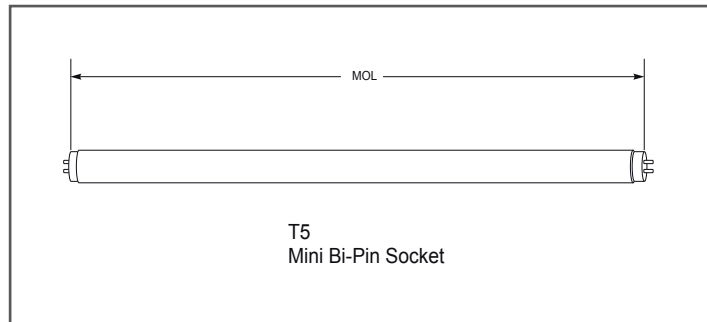
Dimensions are given in millimetres unless noted otherwise please dispose responsibly.



High Lumen Output Linear Fluorescent Lamps-T5

HIGH LUMEN OUTPUT LINEAR FLUORESCENT LAMPS - T5

- High efficacy
- Long life, up to 20,000 hours
- High CRI



Rated Power	Glass Socket Type	Matchcode	Lamp Type	Packing Type	Dimensions		Lumens		Color	Article No.
					LCL (mm)	Initial (lm)	Lifetime (Avg Hrs)	Temp (K)		
Fluorescent Lamps - High Efficiency (T5)										
14	T5 Mini Bi-Pin	LT14/T5/830	50	549	1350	20000	3000	85	G12532629412	
		LT14/T5/840	50	549	1350	20000	4000	85	G12532629512	
		LT14/T5/860	50	549	1250	20000	6000	85	G12532629712	
21	T5 Mini Bi-Pin	LT21/T5/830	50	848	2100	20000	3000	85	G13232629412	
		LT21/T5/840	50	848	2100	20000	4000	85	G13232629512	
		LT21/T5/860	50	848	1950	20000	6000	85	G13232629712	
28	T5 Mini Bi-Pin	LT28/T5/830	50	1148	2900	20000	3000	85	G13932729412	
		LT28/T5/840	50	1148	2900	20000	4000	85	G13932729512	
		LT28/T5/860	50	1148	2700	20000	6000	85	G13932729712	
35	T5 Mini Bi-Pin	LT35/T5/830	50	1450	3650	20000	3000	85	G13932729412	
		LT35/T5/840	50	1450	3650	20000	4000	85	G13932729512	
		LT35/T5/860	50	1450	3400	20000	6000	85	G13932729712	

* 120/130V available upon request

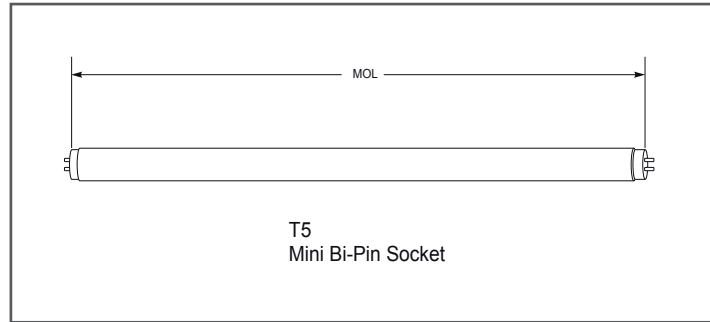
Dimensions are given in millimetres unless noted otherwise please dispose responsibly.



High Lumen Output Linear Fluorescent Lamps-T5

HIGH LUMEN OUTPUT LINEAR FLUORESCENT LAMPS - T5

- High efficacy
- Long life, up to 20,000 hours
- High CRI
- High output



Rated Power	Glass Type	Socket	Matchcode	Packing Type	Dimensions		Lumens Initial	Lifetime (Avg Hrs)	Color Temp (K)	CRI	Article No.
					LCL (mm)	(lm)					
Fluorescent Lamps - High Output (T5)											
24	T5	Mini Bi-Pin	LT24/T5/830/HO	50	549	2000	20000	3000	85	G13532629412	
			LT24/T5/840/HO	50	549	2000	20000	4000	85	G13532629512	
			LT24/T5/860/HO	50	549	1850	20000	6000	85	G13532629712	
39	T5	Mini Bi-Pin	LT39/T5/830/HO	50	848	3500	20000	3000	85	G14032629412	
			LT39/T5/840/HO	50	848	3500	20000	4000	85	G14032629512	
			LT39/T5/860/HO	50	848	3250	20000	6000	85	G14032629712	
49	T5	Mini Bi-Pin	LT49/T5/830/HO	50	1450	4900	20000	3000	85	G14032629412	
			LT49/T5/840/HO	50	1450	4900	20000	4000	85	G14032629512	
			LT49/T5/860/HO	50	1450	4650	20000	6000	85	G14032629712	
54	T5	Mini Bi-Pin	LT54/T5/830/HO	50	1148	5000	20000	3000	85	G16532629412	
			LT54/T5/840/HO	50	1148	5000	20000	4000	85	G16532629512	
			LT54/T5/860/HO	50	1148	4550	20000	6000	85	G16532629712	
80	T5	Mini Bi-Pin	LT80/T5/830/HO	50	1450	7000	20000	3000	85	G19132629412	
			LT80/T5/840/HO	50	1450	7000	20000	4000	85	G19132629512	
			LT80/T5/860/HO	50	1450	6500	20000	6000	85	G19132629712	

Dimensions are given in millimetres unless noted otherwise please dispose responsibly.



Headquarter Germany

Mattentwiete 5
20457 Hamburg
Germany

☎ +49 - 40 32 08 27 3
☎ +49 - 40 32 08 27 59

✉ mail@merkur-hamburg.de

Office United Arab Emirates

Level 41, Emirates Towers
Sheikh Zayed Road
P.O. Box: 31 303
Dubai - U.A.E.

☎ +971 - 43 13 28 92
☎ +971 - 43 13 27 53

Office Hongkong

Unit 1202, Level 12,
One Peking Building
1 Peking Road, Tsim Sha Tsui
Hongkong

☎ +852 - 39 80 92 25
☎ +852 - 39 80 92 34

Distributors

Afghanisatan

Liberty Corporation Co.
64m Street, Herat City
Afghanistan
☎ +937 - 99 69 44 81

Bahrain

Shaheen Group
P.O.Box 405
Manama
Kingdom of Bahrain
☎ +973 -17 81 35 35z

Cameroon

CALICO Sarl
BP 15566
Douala
Cameroon
☎ +237- 22 43 80 44

Ghana

Luminant Electricals
P.O. Box CT5204
Cantonment-Accra
Ghana
☎ +233 - 27 52 29 62 2

Lebanon

Tele Project
P.O. Box 55268
Sin el Fil
Lebanon
☎ +961 - 16 87 900

Oman

Trade Links and Services Co. LLC
P.O.Box 2901
Ruwi 112
Sultanate of Oman
☎ +968 - 24 70 67 75

Saudi Arabia

Ahmed Omer Bagazy Est.
P.O. Box 16367
Jeddah 21464
Saudi Arabia
☎ +966 - 26 47 29 28

Sri Lanka

Rotax Limited
332 Galle Road
Colombo 04
Sri Lanka
☎ +94 - 11 55 74 07 0

United Arab Emirates

Gilco Trading LLC
P.O. Box 4916
Daira, Dubai
United Arab Emirates
☎ +971 - 43 96 15 25

Yemen

Al Ashwal for Electrical Trade &
Agencies
Shoub Street
Sana'a
Yemen Republic
☎ +967 - 12 82 43 2